

# 500 ton capacity ZCC5800

**ZOOMLION**

**Zoomlion Heavy Industry Science & Technology Co.,Ltd.**

Add: No.677, Lugu Road, Zoomlion Industrial Park, Changsha, Hunan, China, 410205

Copyright©2020 Zoomlion. All rights reserved. Reproduction and copying of any part of contents is not allowed for any purposes without Zoomlion's approval.



Product specifications are subject to change without notice and obligation. The photographs and/or drawing in this document are for illustrative purposes only. Please consult your local ZOOMLION dealer for more information.  
website:en.zoomlion.com 2020.10.27

**ZOOMLION**

**4.0**  
PRODUCTS



VISION CREATES FUTURE

## CONTENTS

ZCC5800	1. TECHNICAL HIGHLIGHT	01
ZCC5800	2. DIMENSIONS	02
ZCC5800	3. OVERALL DIMENSIONS OF SWDB MODE	03
ZCC5800	4. MAIN TECHNICAL PARAMETERS	03
ZCC5800	5. TECHNICAL DESCRIPTION	04 / 05
ZCC5800	6. TRANSPORT DIMENSIONS AND WEIGHTS	06 / 13
ZCC5800	7. LIFTING PERFORMANCE	14 / 28



## TECHNICAL HIGHLIGHT

### Robust lifting performance

- General type 500t product with superior comprehensive performance
- Lifting condition of shield construction: 24m+9m(SFV) 197t@12m.
- Lifting condition of wind power plant:108m+7m (SLHS), 95t @16m
- Lifting condition of bridge column lifting construction: main boom 36m ,lifting capacity 202t@12m.

### Optimization in transport and dismantling

- Boom button and crawler frame of the main boom can be loaded and unloaded by themselves ,one-key • synchronization of the string and mast.
- The maximum single piece transport weight of the main engine is 45t , the transport width is 3m and the transport height is 3.2m,allowing global barrier-free transport.

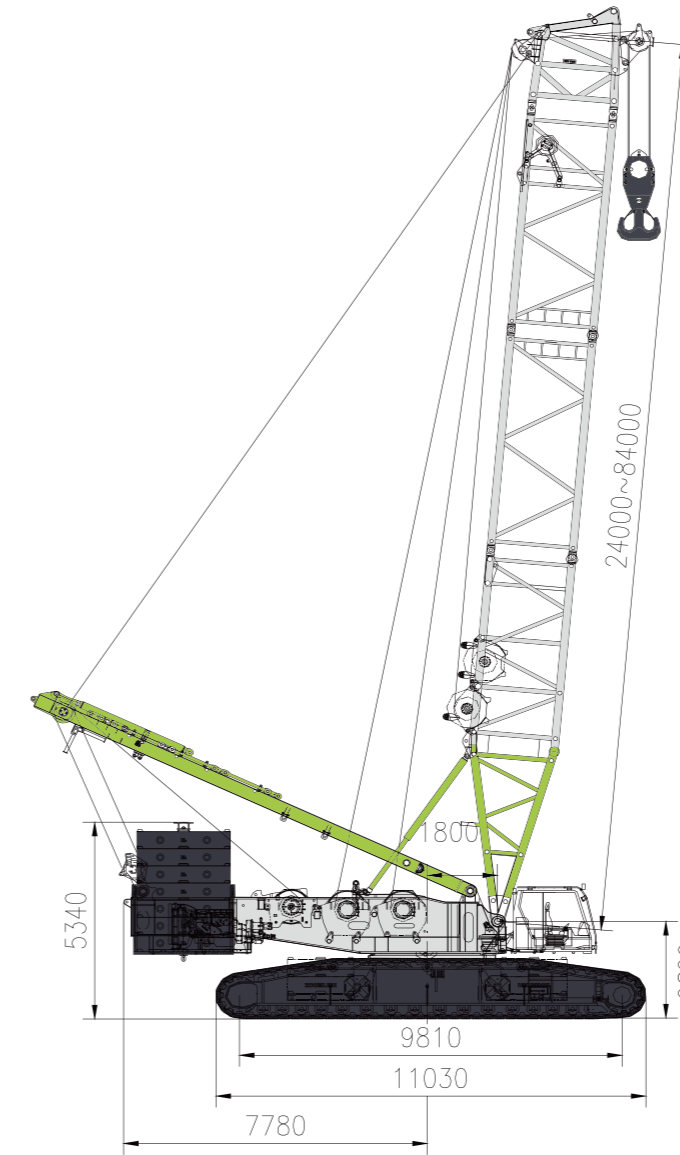
### New and comfortable operator's cab

- Full field of view ,large operation space ,all-around A/C vents, and comfortable and cool interior temperature.
- The switches and buttons are arranged in a centralized way within the reach of the operator's hand ,easy to operate
- Spacious and comfortable ,with broad field of view

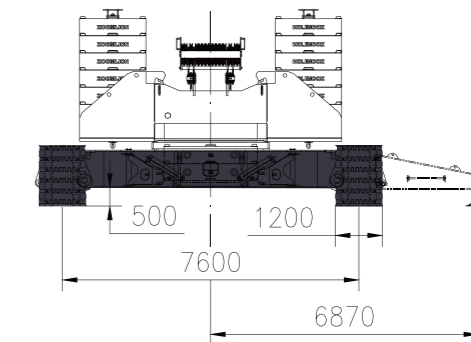


## DIMENSIONS

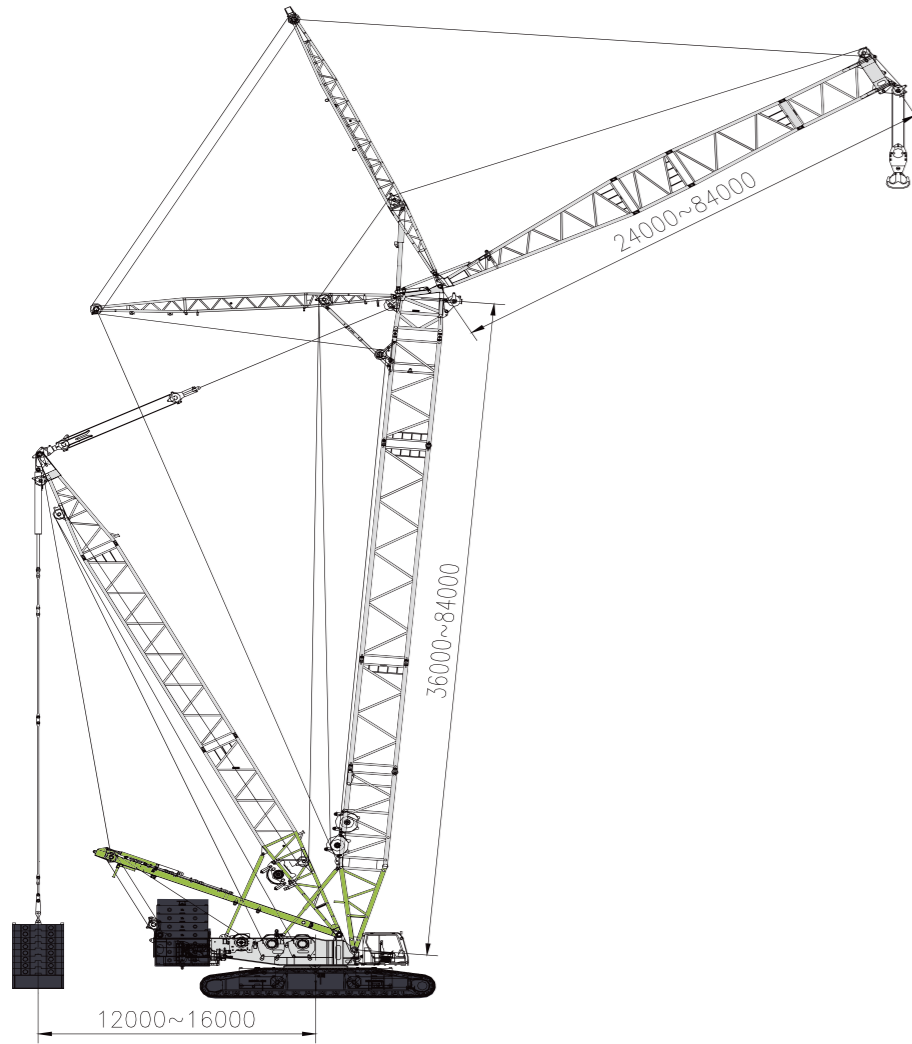
Basic machine with undercarriage



A view(crane with boom removed)



## OVERALL DIMENSIONS OF SWDB MODE



## MAIN TECHNICAL PARAMETERS

Item	Parameters	
Max. lifting capacity(t) / radius(m) / boom length(m)	450/6/24(standard), 500/9/36(superlift)	
Max. load moment	5800	
Main boom length (m)	24~84	
SL boom length (m)	72~108(standard), 78~126(superlift)	
Length of SF jib (m)	9~12	
Max. lifting capacity of SF jib (t)	200	
Main boom length of SF operating mode (m)	24~30(standard), 36(superlift)	
Luffing jib length (m)	24 ~ 72(standard), 24~84(superlift)	
Max. lifting capacity of luffing jib (t)	150(standard), 235(superlift)	
Main boom length of SW operating mode (m)	30~60(standard), 36~84(superlift)	
Max. length of main boom + fixed jib of SW (m)	60+72(standard), 84+84(superlift)	
SLHS (m)	111+8(standard), 126+8(superlift)	
Max. lifting capacity of wind plant jib (t)	140	
Speed of a single rope	Hoisting winch 1 (m/min)	140
	Hoisting winch 2 (m/min)	140
	Primary derricking winch (m/min)	2×50
	Superlift derricking winch (m/min)	120
	Luffing jib derricking winch (m/min)	120
Tip boom hoisting winch (m/min)	105	
Max. slewing speed (rpm)	1.0	
Max. crawling speed (km/h)	0.9	
Gradeability (%)	20	
Ground pressure (MPa)	0.17	
Total weight with main boom (t)	360	
Max transport weight of a single component (t)	45 (without A-frame and winch)	
Engine	Manufacturer/model	WEICHAI/WP12
	Rated power / rotational speed (kW/rpm)	318/1900
	Max. output torque / rotational speed (Nm/rpm)	2060/(1000~1400)
	Exhaust emission	Non-road GB III

## TECHNICAL DESCRIPTION



### Engine

WeiChai engine with CAN bus interface  
 Rated output power/ rotational speed—318kw, 1900r/min  
 Maximum output torque—2060Nm, (1000~1400)r/min  
 Exhaust emission standard—non-road GB III  
 Fuel tank —700 L



### Hydraulic system

The hydraulic system is composed of main pump, auxiliary valve, hydraulic motor, hydraulic oil tank, and oil cooler, etc. It is equipped with a worldwide advanced pump-controlling system and a load-sensitive system. Main hydraulic elements are of famous brands both at home and abroad, which are energy-saving and highly reliable with a long service life. Cooler: aluminum radiator with a hydraulic-driving fan.



### Hoisting winch 1 and 2

A hoisting mechanism is composed of a built-in axial piston variable displacement motor, a balance valve, a reducer, a normally-closed brake and a wire rope, which can be controlled independently. Wire rope is anti-rotation and of high quality. Primary hoisting mechanism, secondary hoisting mechanism (derricking of luffing jib) and tip boom hoisting mechanism are able to realize infinitely variable speeds from 0 to the maximum speed, largely improving the working efficiency.

	Primary hoisting mechanism	Secondary hoisting mechanism	Tip boom hoisting mechanism
Diameter of drum	650mm	650mm	650mm
Speed of the outmost layer	140m/min	140m/min	105m/min
Rope diameter	Φ 28mm	Φ 28mm	Φ 28mm
Rope length	800m	800m	300m
Rated single rope tension	16t	16t	13.6t



### Boom winch

A derricking mechanism is composed of a built-in axial piston variable displacement motor, a balance valve, a reducer, a normally-closed brake and a wire rope, which can be controlled independently. Wire rope is anti-rotation and of high quality.

	Derricking mechanism	Luffing jib derricking mechanism	Superlift derricking mechanism
Diameter of drum	2×540mm	650mm	650mm
Speed of the outmost layer	2×50m/min	120m/min	120m/min
Rope diameter	Φ 28mm	Φ 28mm	Φ 28mm
Rope length	650m	650m	860m
Rated single rope tension	14t	16t	16t



### Swing

It is composed of a built-in axial piston double-variable displacement motor, a dual-gear reducer, a normally closed slewing brake, a small gear, and a slewing bearing. It realizes slewing for 360° through the slewing bearing driven by the small gear, thus realizing the slewing of superstructure. The slewing mechanism is equipped with a controllable free swing function, which reduces the impact on the crane and ensures that braking is smooth and steady. A closed slewing system with less impact is used to make the starting and braking more stable. The controllable free swing function make the slewing gear better fitted in operation. Infinite slewing speed regulation: from 0 to 1.0r/min. The slewing gear can be locked by the two mechanical locking devices in front of the slewing table, which guarantees the safety during transportation.

## TECHNICAL DESCRIPTION



### Crawler

The crawling mechanism is fitted with two variable displacement motors and two reducers. Each track is controlled by a lever. It is able to make such movements as crawling straight ahead/backwards, turning with a crawler, differential steering, turning on spot, crawling with a load with high maneuverability and flexibility.

The tension degree of the track can be adjusted through a jack quickly and conveniently.

Crawling speed-----0-0.9r/min

Gradeability-----20%



### Operator's cab

It is an all-steel structured cab with tempered glass around. The top and front windows are laminated glasses. The cab is equipped with a right sun visor, an adjustable seat, a wiper, an electrical control lever, a load moment limiter, a digital display, a remote control box of various switches, an air conditioner, an electric fan, a head lamp, a cigarette lighter, a fire extinguisher, etc. The operator's cab has a broad vision and a capacious and comfortable inner space.

To reduce the width of the basic machine during transportation, the operator's cab can be swiveled for 90° from one side of the slewing table to the front, which is then fixed with a positioning pin. This is convenient for transportation.

Pitching-up and pitching-down is controlled by a cylinder. The operator's cab can be pitched up for 20° if the load is hoisted highly, broadening the vision of crane operator.



### Load hook

All rotatable load hooks are equipped with a mousing.

400t load hook (twin hooks): 12 pulleys

200t load hook: 8 pulleys

160t load hook (twin hooks): 6 pulleys

100t load hook: 4 pulleys

50t load hook: 2 pulleys

16t load hook: cylinder hook

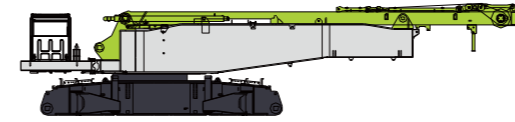


### Operating weight

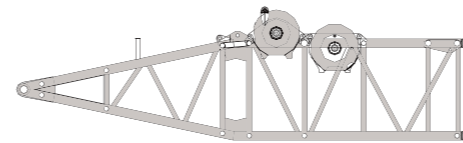
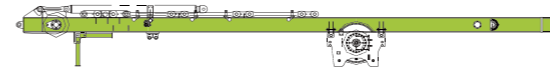
The operating weight includes the basic machine with crawlers ,main winches including wire ropes( 800m and 800m ) and 24m main boom ,consisting of A-frame ,160t rear counterweight, 40t carbody counterweight ,and 400t hook block

Total weight-----approx.360t

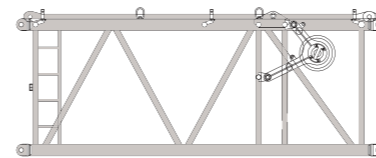
## TRANSPORT DIMENSIONS AND WEIGHTS



The weight of H1 and H2 is not included. The slewing mechanism weighs 45t with a height in transport of 3150mm if A-frame is not attached.



With luffing jib derricking mechanism and tip boom hoisting mechanism; the luffing jib derricking mechanism weighs 5.1t and the tip boom hoisting mechanism weighs 3.2t.



Slewing table assy	1 piece
Length (L)	15700 mm
Width (W)	3000 mm
Height (H)	3440 mm
Weight	56.7t

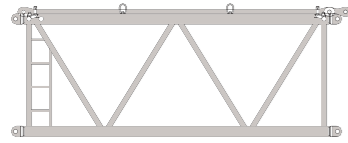
A-frame assy	1 piece
Length(L)	12595 mm
Width (W)	2200 mm
Height (H)	1470 mm
Weight	11.7t

Track carrier assy	2 pieces
Length(L)	11180 mm
Width (W)	1460 mm
Height (H)	1650mm
Weight	33.1 t

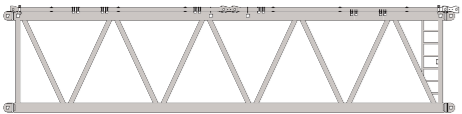
Main boom pivot section	1 piece
Length(L)	10265 mm
Width (W)	3000 mm
Height (H)	3050mm
Weight	15.3 t

Main boom head sectionv	1 piece*
Length(L)	6360mm
Width (W)	3000 mm
Height (H)	2450 mm
Weight	4.1 t

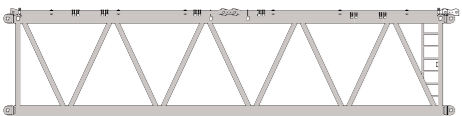
## TRANSPORT DIMENSIONS AND WEIGHTS



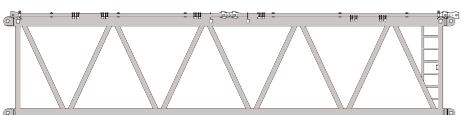
<b>Main boom intermediate section of 6m</b>	<b>1 piece*</b>
Length (L)	6340 mm
Width (W)	3000mm
Height (H)	2450 mm
Weight	3.0 t



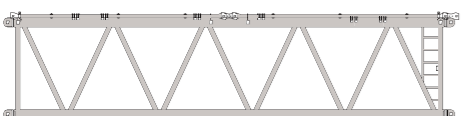
<b>Main boom intermediate section of 12m</b>	<b>3 pieces*</b>
Length (L)	12340 mm
Width (W)	3000mm
Height (H)	2450 mm
Weight	5.3 t



<b>Main boom intermediate section A of 12m</b>	<b>2 pieces*</b>
Length (L)	12340 mm
Width (W)	3000mm
Height (H)	2450 mm
Weight	5.0 t

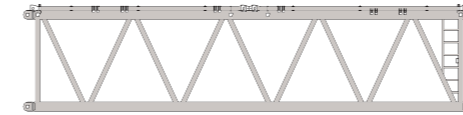


<b>Main boom intermediate section B of 12m</b>	<b>1 piece*</b>
Width (W)	12340 mm
Height (H)	3400mm
Weight	2450 mm
	5.4 t

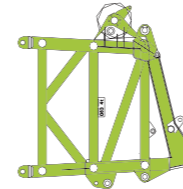


<b>Main boom reducing section C</b>	<b>2 pieces*</b>
Length (L)	12340 mm
Width (W)	3400mm
Height (H)	2450 mm
Weight	5.5 t

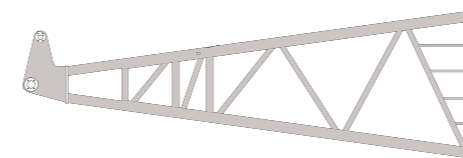
## TRANSPORT DIMENSIONS AND WEIGHTS



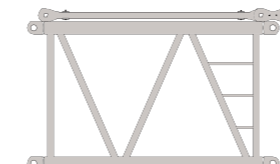
<b>Main boom reducing section D</b>	<b>1 piece*</b>
Length(L)	12340 mm
Width (W)	3400mm
Height (H)	2450 mm
Weight	5.4 t



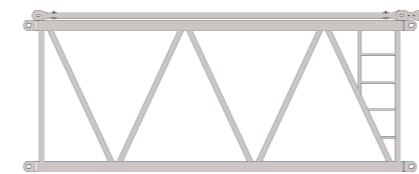
<b>Main boom head</b>	<b>1 piece*</b>
Length(L)	3000mm
Width (W)	2800mm
Height (H)	3040mm
Weight	4.8 t



<b>Luffing jib pivot section</b>	<b>1piece*</b>
Length(L)	10200 mm
Width (W)	2760 mm
Height (H)	2410 mm
Weight	3.8 t

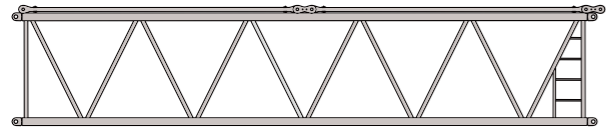


<b>Luffing jib intermediate section of 3m (ultra-wide)</b>	<b>1 piece*</b>
Length(L)	3300mm
Width (W)	2760 mm
Height (H)	2410 mm
Weight	1.5t

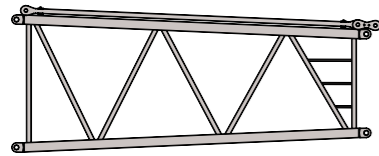


<b>Luffing jib intermediate section of 6m (ultra-wide)</b>	<b>2 pieces*</b>
Length(L)	6300mm
Width (W)	2760 mm
Height (H)	2410 mm
Weight	2.3 t

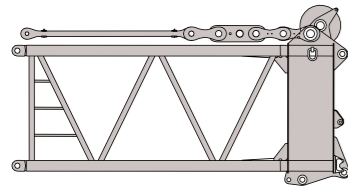
## TRANSPORT DIMENSIONS AND WEIGHTS



Luffing jib intermediate section of 12m	2 pieces*
Length (L)	12300 mm
Width (W)	2460 mm
Height (H)	2010 mm
Weight	3.6 t



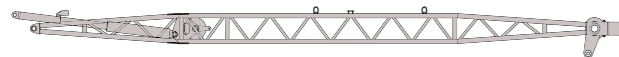
Luffing jib reducing section	1 piece*
Length (L)	6160 mm
Width (W)	2760 mm
Height (H)	2410 mm
Weight	2.2 t



Luffing jib head	1 piece*
Length (L)	4965 mm
Width (W)	2460 mm
Height (H)	2620 mm
Weight	4.0 t

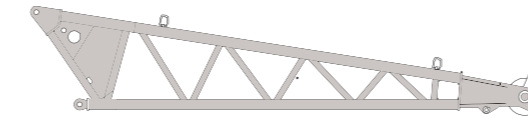


FA-frame 1	1 piece*
Width (W)	15145 mm
Height (H)	2530 mm
Weight	1045 mm
	5.5 t

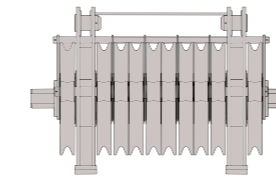


FA-frame 2	1 piece*
Length (L)	16820 mm
Width (W)	2530 mm
Height (H)	900 mm
Weight	5.34 t

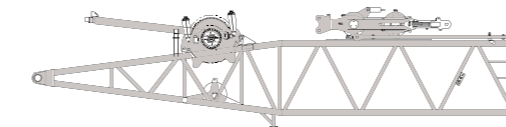
## TRANSPORT DIMENSIONS AND WEIGHTS



Wind plant jib	1 piece*
Length(L)	8640 mm
Width (W)	1730 mm
Height (H)	1615 mm
Weight	3.0 t

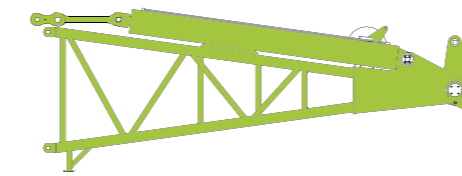


Pulley block	2 pieces*
Length(L)	1385 mm
Width (W)	1165 mm
Height (H)	885 mm
Weight	1.05 t



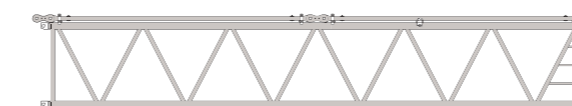
Including superlift derricking pulley block and superlift derricking mechanism

Derrick boom pivot section	1 piece*
Length(L)	12210 mm
Width (W)	2700 mm
Height (H)	2855 mm
Weight	14.8 t



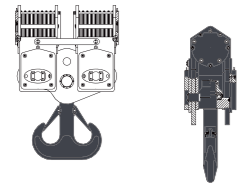
Including cylinder for suspended ballast

Derrick boom head	1 piece*
Length(L)	6570 mm
Width (W)	2820 mm
Height (H)	2410 mm
Weight	6.0t

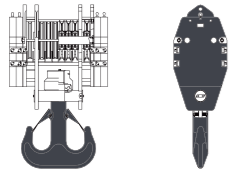


Derrick boom intermediate section of 12m	1 piece*
Length(L)	12140 mm
Width (W)	2440 mm
Height (H)	2000 mm
Weight	4.2 t

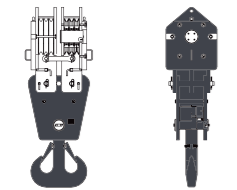
## TRANSPORT DIMENSIONS AND WEIGHTS



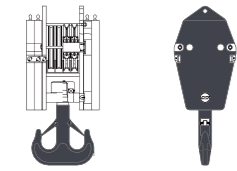
Load hook for 400t	1 piece*
Length (L)	2000 mm
Width (W)	930 mm
Height (H)	3000mm
Weight	9.2 t



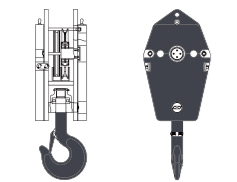
Load hook for 200t	1 piece*
Length (L)	1480 mm
Width (W)	800mm
Height (H)	2470 mm
Weight	5.5 t



Load hook for 160t	1 piece*
Length (L)	1040mm
Width (W)	860 mm
Height (H)	3050 mm
Weight	4.4 t

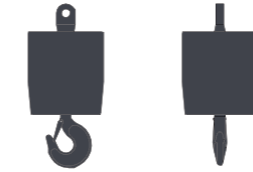


Load hook for 100	1 piece
Width (W)	940 mm
Height (H)	800 mm
Weight	2010mm
	3.6 t

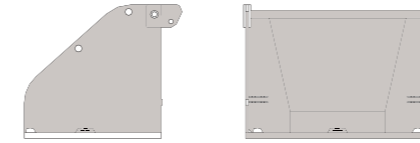


Load hook for 50t	1 piece
Length (L)	900 mm
Width (W)	800 mm
Height (H)	2010 mm
Weight	2.2t

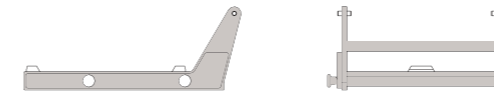
## TRANSPORT DIMENSIONS AND WEIGHTS



Load hook for 16t	1 piece*
Length(L)	530 mm
Width (W)	530 mm
Height (H)	1140 mm
Weight	0.9 t



Rear counterweight frame	2 pieces*
Length(L)	2200 mm
Width (W)	2625 mm
Height (H)	1890 mm
Weight	5.2 t

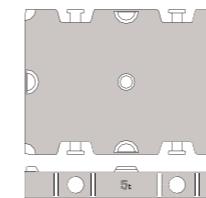


Central ballast frame	2 pieces*
Length(L)	2260 mm
Width (W)	1950mm
Height (H)	870 mm
Weight	1.15 t



Including some anchoring rods for suspended ballast

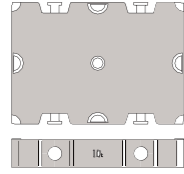
Suspended ballast frame	1 piece*
Length(L)	6700 mm
Width (W)	2400 mm
Height (H)	750 mm
Weight	5t



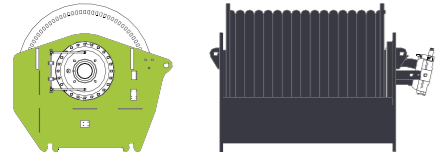
Counterweight plate of 5t	29 pieces*
Length(L)	2400 mm
Width (W)	1700 mm
Height (H)	365 mm
Weight	5 t



## TRANSPORT DIMENSIONS AND WEIGHTS

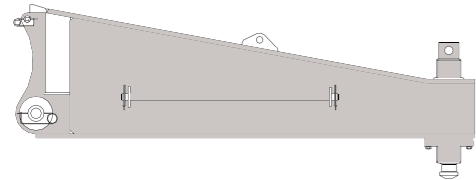


Counterweight plate of 10t	24 pieces*
Length (L)	2400 mm
Width (W)	1700 mm
Height (H)	455 mm
Weight	10 t

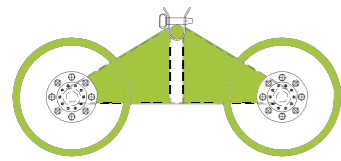


Including wire rope for hoisting

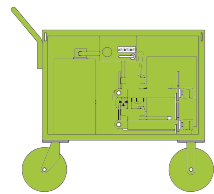
Primary hoisting winch	2 pieces*
Length (L)	1920 mm
Width (W)	1275 mm
Height (H)	1235 mm
Weight	5.6 t



Folding bracket	2 pieces*
Length (L)	2500 mm
Width (W)	500 mm
Height (H)	1218 mm
Weight	1.3 t



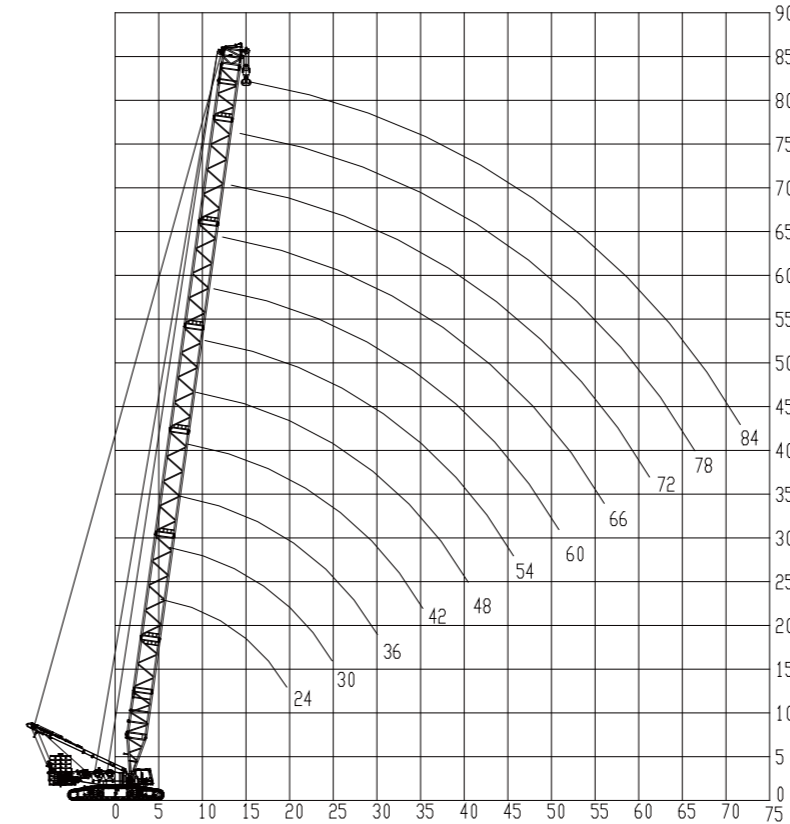
Tyres	1 piece*
Width (W)	2315 mm
Height (H)	2340 mm
Weight	1055 mm
	0.75 t



Hydraulic pump station	1 piece*
Length (L)	1400 mm
Width (W)	800 mm
Height (H)	1100 mm
Weight	0.4 t

## LIFTING PERFORMANCE

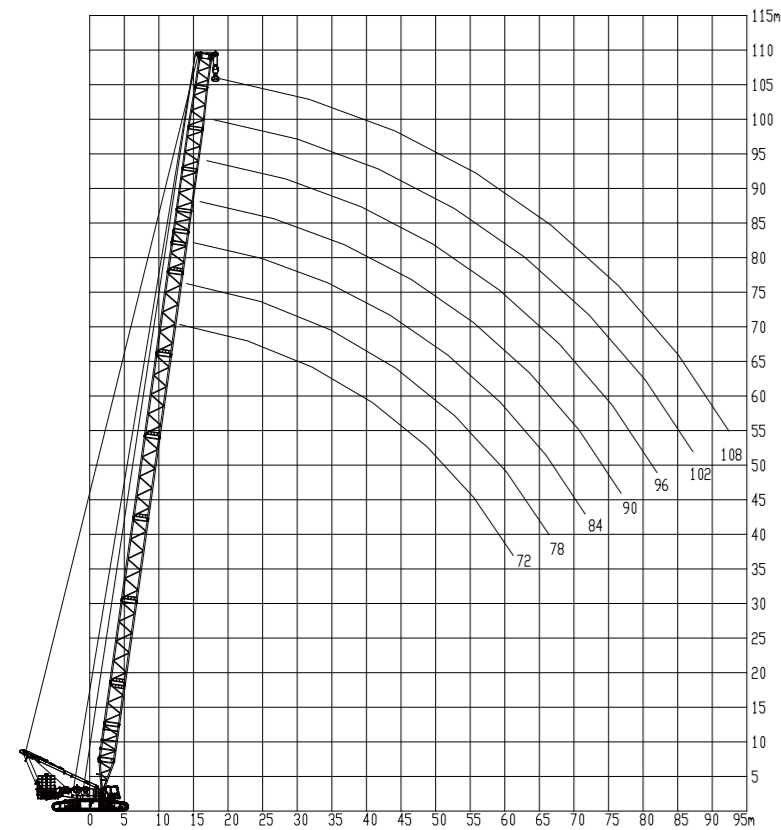
Lifting performance on S boom



Radius (m)	Rear counterweight: 160t Central ballast: 40t												
	Main boom length (m)												
	24	30	36	42	48	54	60	66	72	78	84		
6	450												
7	400	375	364										
8	349	317	314	311	297								
9	298	278	278	275	259	246	233						
10	257	247	247	242	230	219	209	199	190				
11	223	223	223	217	206	197	189	181	173	166	159		
12	202	202	200	196	187	179	172	165	158	152	146		
14	166	167	167	163	157	151	145	140	134	129	124		
16	136	136	136	136	134	129	124	120	116	112	108		
18	115	115	115	114	114	113	109	105	101	98.4	94.9		
20	98.6	99	98.8	98.5	98	97.5	96.4	93.5	90.1	87.1	84.1		
22	86	86.5	86.2	85.9	85.4	84.8	84.2	83.4	80.5	77.9	75.1		
24		76.4	76.2	75.9	75.3	74.7	74	73.6	72.4	70	67.4		
26		68.1	67.9	67.6	67	66.5	65.7	65.2	64.5	63.3	60.9		
28		61.2	61.1	60.8	60.2	59.6	58.8	58.3	57.5	56.9	55.3		
30			55.2	54.9	54.3	53.7	53	52.5	51.7	51.1	50.2		
32			50.2	49.9	49.3	48.7	48	47.5	46.6	46	45.1		
34				45.6	45	44.4	43.6	43.1	42.3	41.6	40.8		
36				41.8	41.2	40.6	39.8	39.3	38.4	37.8	36.9		
38				38.4	37.9	37.3	36.5	35.9	35.1	34.4	33.5		
40					34.9	34.3	33.5	32.9	32.1	31.4	30.5		
44						29.7	29.2	28.4	27.9	27	26.3		
48							25	24.2	23.7	22.8	22.2		
52								20.7	20.2	19.3	18.7		
56									17.2	16.3	15.7		
60										13.8	13.2		
64											11.6		
68												9	
72													6.3

# LIFTING PERFORMANCE

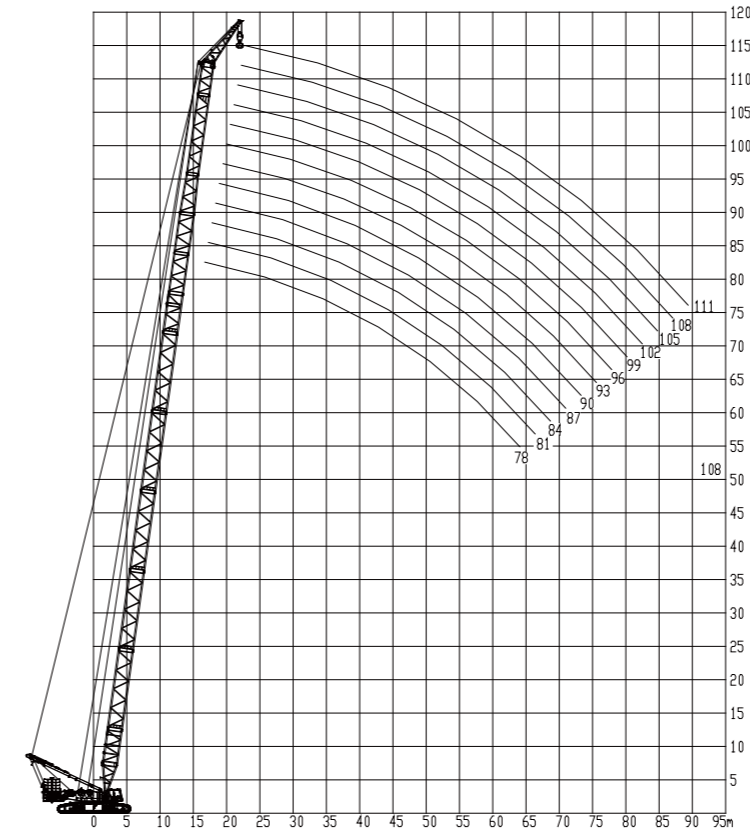
Lifting performance on SL boom



Radius (m)	Rear counterweight: 160t Central ballast: 40t					
	Light main boom length (m)					
	78	84	90	96	102	108
10	180					
11	167	161				
12	153	147	142	136		
14	131	126	122	117	113	101
16	112	109	106	102	98.8	95.6
18	95.8	93.8	91.8	89.8	87	84.3
20	83.4	81.6	79.8	78	76.4	74.6
22	73.5	71.7	70.2	68.5	66.9	65.4
24	64.9	63.7	62.2	60.6	59.3	58
26	57.3	56.5	55.6	54.1	52.7	51.5
28	51	50.1	49.5	48.5	47.3	46.1
30	45.7	44.9	44.2	43.3	42.5	41.4
32	41.1	40.3	39.6	38.8	38.1	37.3
34	37.2	36.3	35.6	34.7	34.2	33.5
36	33.8	32.9	32.1	31.2	30.7	30
38	30.7	29.8	29.1	28.2	27.6	26.9
40	28	27.1	26.3	25.5	24.8	24.2
44	23.4	22.5	21.7	20.8	20.1	19.5
48	19.6	18.7	18	17	16.3	15.7
52	16.5	15.5	14.8	13.9	13.2	12.5
56	13.8	12.8	12.1	11.1	10.5	9.8
60	11.5	10.6	9.8	8.9	8.2	7.5
64	9.5	8.6	7.8	6.8	6.2	5.5
68	7.7	6.8	6	5.1	4.4	3.7
72		5.2	4.5	3.5	2.8	

# LIFTING PERFORMANCE

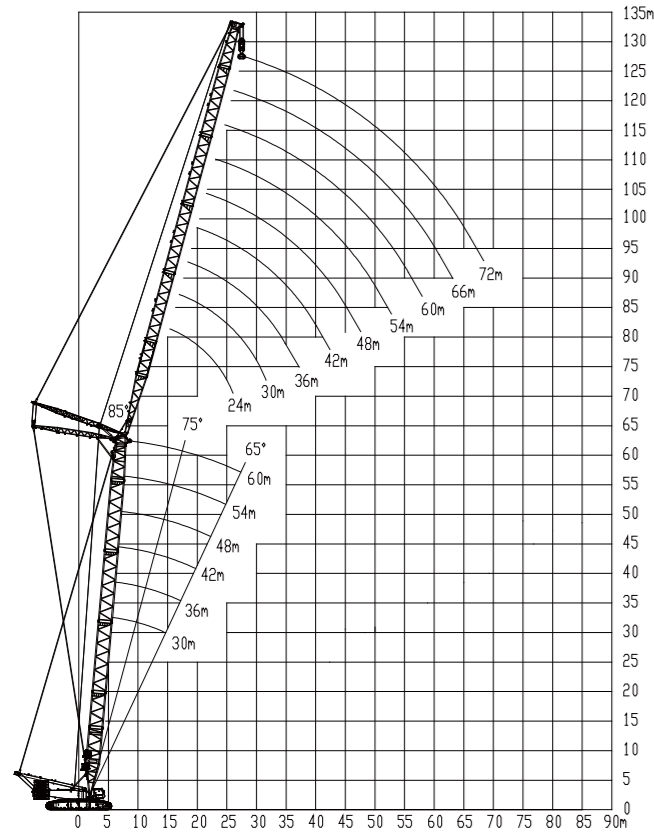
Lifting performance on SLHS



Radius (m)	Wind plant jib: 8m Rear counterweight: 160t Central ballast: 40t										
	Light main boom length (m)										
	78	81	84	87	90	93	96	99	102	105	108
14	136	134	132	129							
15	127	125	123	121	119	117	110	103			
16	119	117	115	113	111	109	107	102	100	98	95
17	111	110	108	106	104	102	101	99.6	96.8	94.5	91.2
18	105	103	101	100	98.4	96.8	95.2	93.8	92	88.9	86.7
19	99.1	97.4	95.8	94.5	92.6	91.3	89.7	88.5	86.9	84.7	81.2
20	93.6	92	90.6	89.1	87.5	86.3	84.7	83.8	82.2	81.1	77.9
22	84	82.7	81.4	80.1	78.7	77.5	76.1	75.1	73.8	72.8	71.5
24	76	74.7	73.4	72.4	71.1	69.9	68.7	67.8	66.5	65.7	64.5
26	69.1	67.8	66.7	65.8	64.5	63.6	62.3	61.4	60.4	59.6	58.4
28	63.1	61.9	60.8	60	58.9	57.9	56.8	55.9	54.9	54.1	53
30	57.2	56.8	55.7	54.9	53.8	52.9	51.8	51.2	50.1	49.4	48.4
32	51.7	51.4	51	50.4	49.4	48.5	47.4	46.9	45.8	45.2	44.3
34	47.1	46.7	46.2	46	45.4	44.6	43.6	43	42.1	41.4	40.5
36	43	42.6	42.2	41.9	41.5	41	40.1	39.6	38.6	37.9	37.2
38	39.4	38.9	38.5	38.3	37.8	37.5	36.9	36.5	35.5	35	34
40	36.2	35.7	35.3	35.1	34.6	34.2	33.7	33.6	32.7	32.2	31.3
44	30.7	30.2	29.8	29.6	29.1	28.7	28.2	28.1	27.6	27.3	26.4
48	26.2	25.8	25.3	25.1	24.6	24.2	23.7	23.6	23.1	22.9	22.4
52	22.4	22	21.5	21.3	20.8	20.4	19.9	19.8	19.3	19.1	18.7
56	19.3	18.8	18.4	18.2	17.7	17.3	16.7	16.6	16.1	15.9	15.4
60	16.6	16.1	15.6	15.4	14.9	14.5	14	13.9	13.3	13.2	12.6
64	14.2	13.7	13.2	13	12.5	12.1	11.6	11.4	10.9	10.7	10.3
68	12.1	11.6	11.2	11	10.5	10	9.5	9.4	8.9	8.6	8.2
72	10.2	9.8	9.3	9.1	8.6	8.2	7.6	7.5	7	6.8	6.3
76	8.5	8.1	7.6	7.4	6.9	6.5	6	5.9	5.4	5.1	4.7
80			6.1	5.9	5.4	5	4.5	4.4	3.8	3.6	3.2

# LIFTING PERFORMANCE

Lifting performance on SW



Radius (m)	Rear counterweight: 160t Central ballast: 40t Main boom length: 30m								
	Luffing jib length (m)								
	24	30	36	42	48	54	60	66	72
14	150								
16	139	134	129						
18	123	118	114	111					
20	108	106	102	99.7	96.4				
22	95.2	94.7	92.7	90.3	87.2	85			
24	84.7	84.3	83.7	82.4	79.6	77.5	74.9	72.9	
26	76.1	75.7	75.2	75	73.1	71.2	68.7	66.9	64.6
28	68.8	68.6	68.1	67.9	67.1	65.6	63.4	61.7	59.5
30		62.5	62	61.9	61.1	60.8	58.7	57.1	55
32		57.3	56.9	56.7	56	55.7	54.5	53.1	51.1
34		52.6	52.4	52.3	51.5	51.2	50.4	49.5	47.6
36			48.4	48.3	47.6	47.3	46.5	46.1	44.4
38			44.9	44.9	44.2	43.9	43.1	42.7	41.6
40			41.6	41.8	41.1	40.8	40	39.6	38.8
44				36.4	35.8	35.6	34.8	34.4	33.6
48					31.5	31.3	30.5	30.1	29.3
52						27.7	27.7	26.9	26.5
56							24.5	23.8	23.5
60								21.2	20.9
64									18.6
68									16.5
72									14
76									

# LIFTING PERFORMANCE

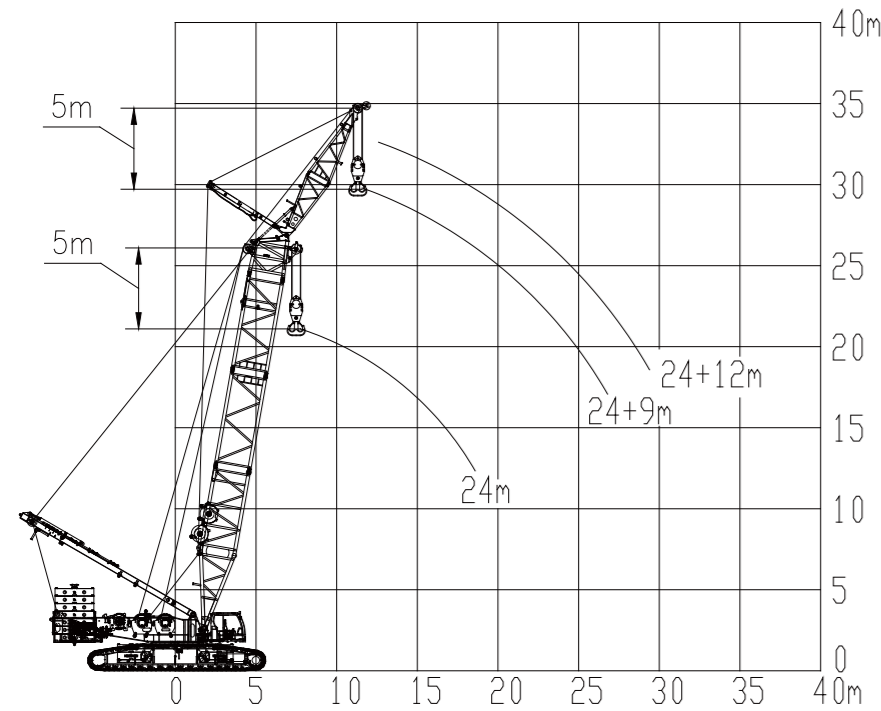
Lifting performance on SW

Radius (m)	Rear counterweight: 160t Central ballast: 40t Main boom length: 42m								
	Luffing jib length (m)								
	24	30	36	42	48	54	60	66	72
14	147								
16	129	124							
18	114	110	106						
20	102	99.1	95.6	93					
22	93	89.8	86.8	84.3	81.4	79.4			
24	84.2	82.1	79.2	77.2	74.5	72.5	69.9		
26	75.7	75.2	72.8	71	68.5	66.7	64.3	62.5	
28	68.5	68.1	67.3	65.6	63.3	61.6	59.4	57.8	55.6
30		62.1	61.5	60.9	58.7	57.1	55	53.5	51.5
32		56.9	56.4	56.2	54.7	53.2	51.2	49.7	47.8
34		52.4	51.9	51.8	51	49.7	47.7	46.4	44.5
36			48	47.9	47.1	46.6	44.6	43.4	41.6
38			44.5	44.5	43.7	43.4	41.9	40.6	38.9
40			41.4	41.4	40.7	40.4	39.3	38.1	36.4
44				36.1	35.5	35.2	34.3	33.8	32.2
48					31.2	30.9	30.1	29.7	28.6
52						27.5	27.4	26.6	26.2
56							24.3	23.5	23.2
60								20.9	20.6
64								18.6	18.3
68									16.3
72									13.8
76									12.1

Radius (m)	Rear counterweight: 160t Central ballast: 40t Main boom length: 60m								
	Luffing jib length (m)								
	24	30	36	42	48	54	60	66	72
16	114								
18	101	97.9							
20	91.8	88.5	85.3						
22	83.6	80.6	77.7	75.5	72.8				
24	76.6	73.8	71.1	69.3	66.7	64.8			
26	70.7	68.1	65.6	63.9	61.4	59.7	57.3		
28	65.6	63.1	60.8	59.2	56.8	55.3	53.1	51.5	49.4
30	61.1	58.7	56.5	55	52.8	51.4	49.2	47.7	45.7
32		54.8	52.7	51.3	49.2	47.9	45.8	44.4	42.4
34		51.4	49.3	48	46	44.7	42.7	41.4	39.5
36		47.6	46.3	45	43.1	41.9	40	38.8	36.9
38			43.6	42.4	40.6	39.4	37.5	36.3	34.6
40			40.6	39.9	38.2	37	35.2	34.1	32.4
44				35.4	34	33	31.3	30.2	28.6
48				31	30.4	29.6	27.9	26.9	25.3
52					26.9	26.6	25	24	22.5
56						23.7	22.5	21.5	20.1
60							21	20.3	19.4
64								18	17.4
68									15.7
72									13.9
76									11.4

# LIFTING PERFORMANCE

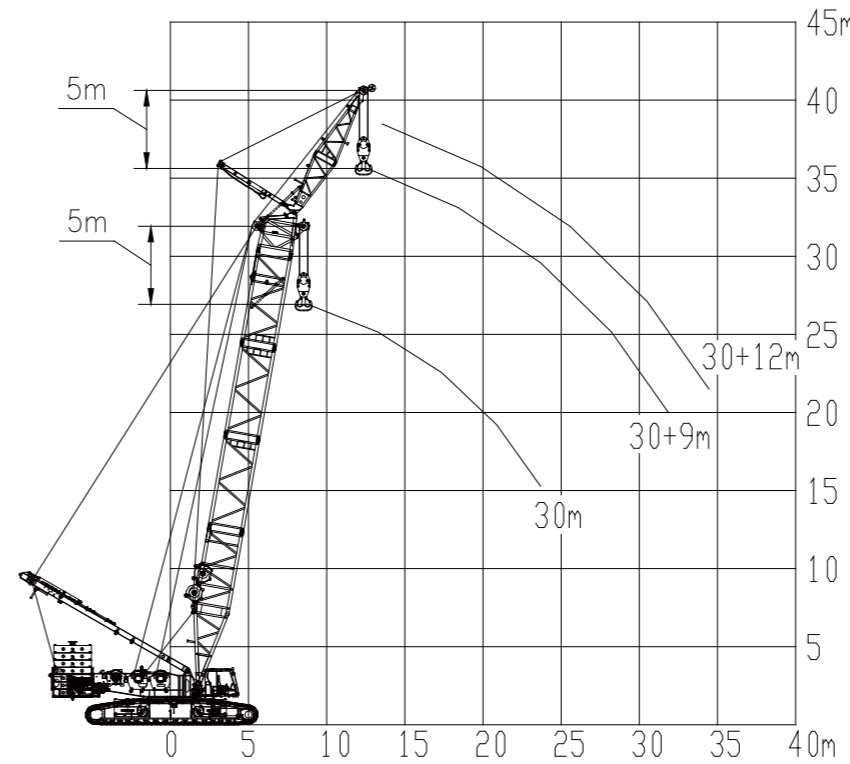
Lifting performance on SFV



Main boom angle	Rear counterweight: 160t Central ballast: 40t Light main boom length (m)					
	Radius of hook 1	Turning over	Radius of hook 2	Capacity of hook 1	Turning over	Capacity of hook 2
81.17	7.0	8.9	10.8	359.0	279.1	199.2
80.78	7.2	9.1	11.0	351.7	275.4	199.0
78.99	7.9	9.9	12.0	318.1	253.6	189.0
78.72	8.0	10.1	12.2	313.0	250.2	187.4
76.24	9.0	11.3	13.5	272.0	222.5	173.1
75.35	9.4	11.7	14.0	261.7	214.9	168.0
73.72	10.0	12.4	14.9	243.0	198.7	154.4
71.62	10.8	13.4	16.0	222.4	179.7	137.0
71.17	11.0	13.6	16.2	218.0	176.2	134.4
68.56	12.0	14.8	17.6	197.0	158.2	119.5
67.77	12.3	15.2	18.0	191.0	153.0	115.0
63.77	13.8	16.9	20.0	161.3	129.7	98.2
63.18	14.0	17.1	20.3	157.0	126.7	96.3
59.57	15.3	18.6	22.0	137.8	111.6	85.3
57.47	16.0	19.5	23.0	127.0	103.7	80.3
55.14	16.8	20.4	24.0	118.4	96.7	75.0
51.31	18.0	21.8	25.6	105.0	86.6	68.1
50.37	18.3	22.1	26.0	102.7	84.6	66.5
45.14	19.8	23.9	28.0	90.8	75.2	59.5
44.48	20.0	24.1	28.2	89.4	74.1	58.8
39.22	21.4	25.7	30.0	80.8	67.1	53.4
36.52	22.0	26.4	30.8	76.8	64.0	51.3
32.12	22.9	27.5	32.0	70.9	59.5	48.2

# LIFTING PERFORMANCE

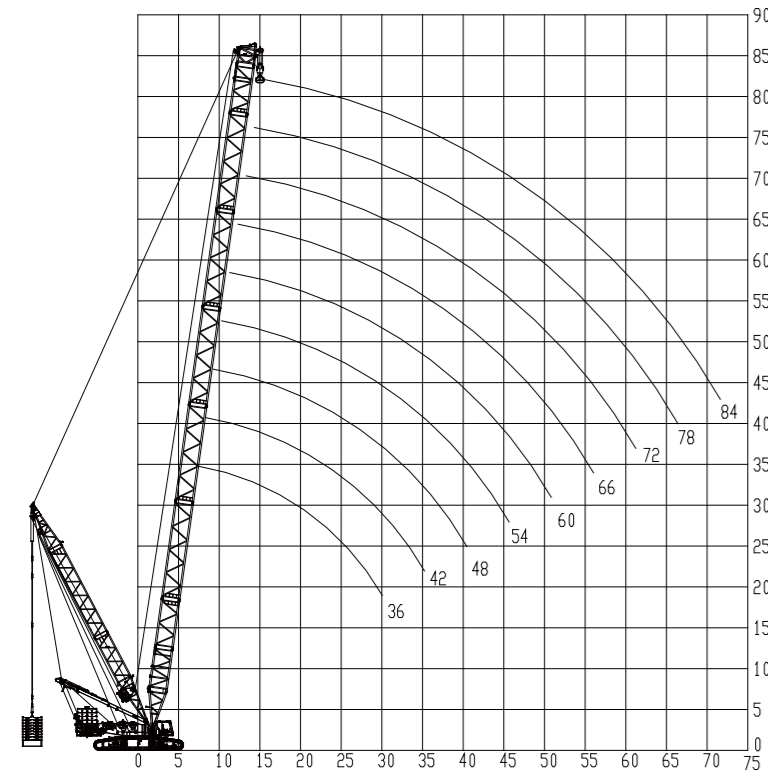
Lifting performance on SFV



Main boom angle	Rear counterweight: 160t Central ballast: 40t Main boom + jib: 30m + 12m					
	Radius of hook 1	Turning over	Radius of hook 2	Capacity of hook 1	Turning over	Capacity of hook 2
81.23	7.9	10.9	14.0	299.0	223.5	148.0
81.02	8.0	11.1	14.2	299.0	223.0	147.1
79.06	9.0	12.3	15.5	272.0	205.5	138.9
78.36	9.4	12.7	16.0	261.0	198.5	136.0
77.09	10.0	13.4	16.9	241.0	184.1	127.3
75.43	10.8	14.4	18.0	220.2	168.1	116.0
75.09	11.0	14.6	18.2	216.0	165.0	114.1
73.08	12.0	15.8	19.6	197.0	149.9	102.7
72.44	12.3	16.2	20.0	190.6	144.9	99.2
69.38	13.8	17.9	22.0	160.1	123.1	86.2
68.97	14.0	18.1	22.3	156.0	120.4	84.8
66.22	15.3	19.7	24.0	136.5	106.1	75.8
64.72	16.0	20.5	24.9	126.0	98.9	71.9
62.95	16.8	21.4	26.0	117.5	92.4	67.3
60.29	18.0	22.8	27.6	105.0	83.4	61.7
59.54	18.3	23.2	28.0	102.3	81.2	60.2
55.96	19.9	24.9	30.0	89.8	71.9	54.1
55.64	20.0	25.1	30.2	88.7	71.2	53.6
52.16	21.4	26.7	32.0	79.9	64.4	48.9
50.67	22.0	27.4	32.8	76.2	61.7	47.2
48.09	23.0	28.5	34.0	71.2	57.8	44.4
45.28	24.0	29.6	35.3	66.1	54.0	41.9
43.64	24.6	30.3	36.0	63.8	52.1	40.5
39.26	26.0	31.9	37.8	57.9	47.6	37.3
38.63	26.2	32.1	38.0	57.2	47.1	36.9
32.74	27.9	33.9	40.0	51.5	42.6	33.7
32.21	28.0	34.1	40.2	51.0	42.2	33.4

# LIFTING PERFORMANCE

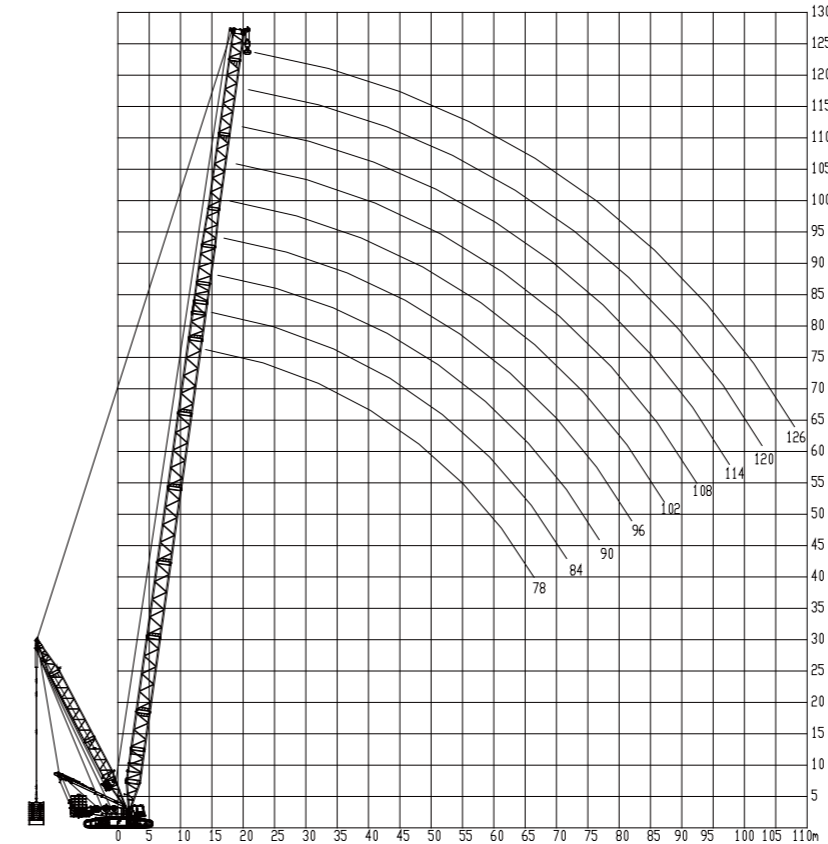
Lifting performance on SDB



Radius (m)	Derrick boom: 30m Radius of suspended ballast: 16m Rear counterweight: 130t								
	Central ballast: 40t				Suspended ballast: 230t				
	36	42	48	54	60	66	72	78	84
9	500.0								
10	450.0	400.0	400.0	392.0	350.0				
11	400.0	400.0	400.0	392.0	350.0	308.5	272.0		
12	400.0	400.0	400.0	392.0	350.0	308.5	272.0	241.0	
14	400.0	400.0	396.0	392.0	349.0	308.5	271.0	240.0	212.0
16	362.5	351.8	350.7	348.7	346.7	308.5	271.0	240.0	212.0
18	311.6	310.5	309.5	307.5	305.5	304.5	270.0	240.0	212.0
20	278.4	277.4	276.4	275.4	273.4	272.4	264.0	238.0	212.0
22	251.3	250.2	249.2	248.2	247.2	246.2	244.2	236.0	211.0
24	229.1	228.1	227.1	226.1	225.1	224.1	222.1	215.0	210.0
26	210.0	209.0	208.0	207.0	206.0	205.0	204.0	203.0	196.0
28	193.0	192.0	192.0	191.0	189.9	188.9	187.9	186.9	184.9
30	177.9	176.9	175.9	175.9	174.9	173.9	172.9	172.9	171.9
32	163.8	163.8	162.8	161.8	161.8	160.8	159.8	159.8	158.8
34		151.8	150.8	150.8	149.7	149.7	148.7	147.7	146.7
36		141.7	140.7	140.7	139.7	138.7	138.7	137.7	136.7
38		132.7	131.7	131.7	130.7	130.7	129.6	128.6	127.6
40			123.6	123.6	122.6	122.6	121.6	120.6	119.6
44			109.5	109.5	108.5	108.5	107.5	107.5	106.5
48				98.1	97.5	97.2	96.5	96.0	95.2
52					88.0	87.7	87.0	86.6	85.8
56						79.7	79.0	78.6	77.8
60							72.1	71.8	71.0
64							66.1	65.7	65.0
68								60.4	59.7
72									55.1

# LIFTING PERFORMANCE

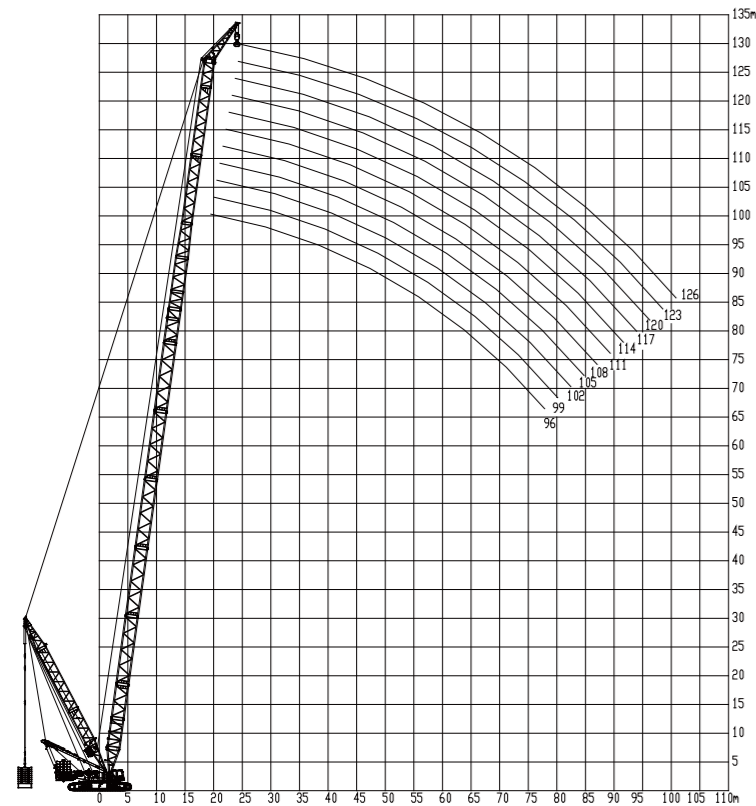
Lifting performance on SLDB



Radius (m)	Derrick boom: 30m Radius of suspended ballast: 16m Rear counterweight: 130t								
	Central ballast: 40t				Suspended ballast: 230t				
	Main boom length (m)								
	78	84	90	90	102	108	114	120	126
10	231.0								
11	231.0	209.0							
12	231.0	209.0	185.0	185.0					
14	231.0	209.0	185.0	185.0	140.0	121.0	104.0	91.9	
16	231.0	208.0	185.0	185.0	140.0	121.0	104.0	91.9	77.9
18	231.0	206.0	185.0	185.0	140.0	121.0	104.0	91.6	77.9
20	230.0	206.0	185.0	185.0	139.0	121.0	104.0	91.4	77.6
22	228.0	206.0	184.0	184.0	139.0	121.0	103.0	91.1	77.3
24	219.0	204.0	182.0	182.0	139.0	120.0	103.0	90.6	77.0
26	201.0	199.0	182.0	182.0	138.0	119.0	103.0	90.2	76.6
28	184.0	184.0	182.0	182.0	138.0	119.0	102.0	89.6	76.1
30	170.0	170.0	169.0	169.0	137.0	118.0	101.0	89.1	75.6
32	158.0	158.0	157.0	157.0	136.0	117.0	101.0	88.4	75.0
34	148.0	147.0	146.0	146.0	135.0	117.0	100.0	87.9	73.5
36	139.0	138.0	138.0	138.0	132.0	116.0	99.5	87.1	70.7
38	130.0	129.0	129.0	129.0	127.0	115.0	98.8	85.1	68.3
40	123.0	122.0	121.0	121.0	120.0	114.0	98.0	83.1	65.8
44	110.0	109.0	108.0	108.0	107.0	106.0	96.5	77.9	61.8
48	98.8	98.0	97.6	97.6	96.3	95.6	92.3	73.5	57.8
52	89.6	89.1	88.4	88.4	87.1	86.4	86.4	69.5	54.6
56	81.9	81.1	80.7	80.7	79.2	78.7	78.7	66.3	51.4
60	74.8	74.0	73.4	73.4	72.1	71.5	71.5	63.0	48.6
64	68.5	67.7	67.1	66.3	65.8	65.2	65.3	59.8	46.2
68	63.0	62.2	61.6	60.8	60.2	59.7	59.8	57.4	44.2

# LIFTING PERFORMANCE

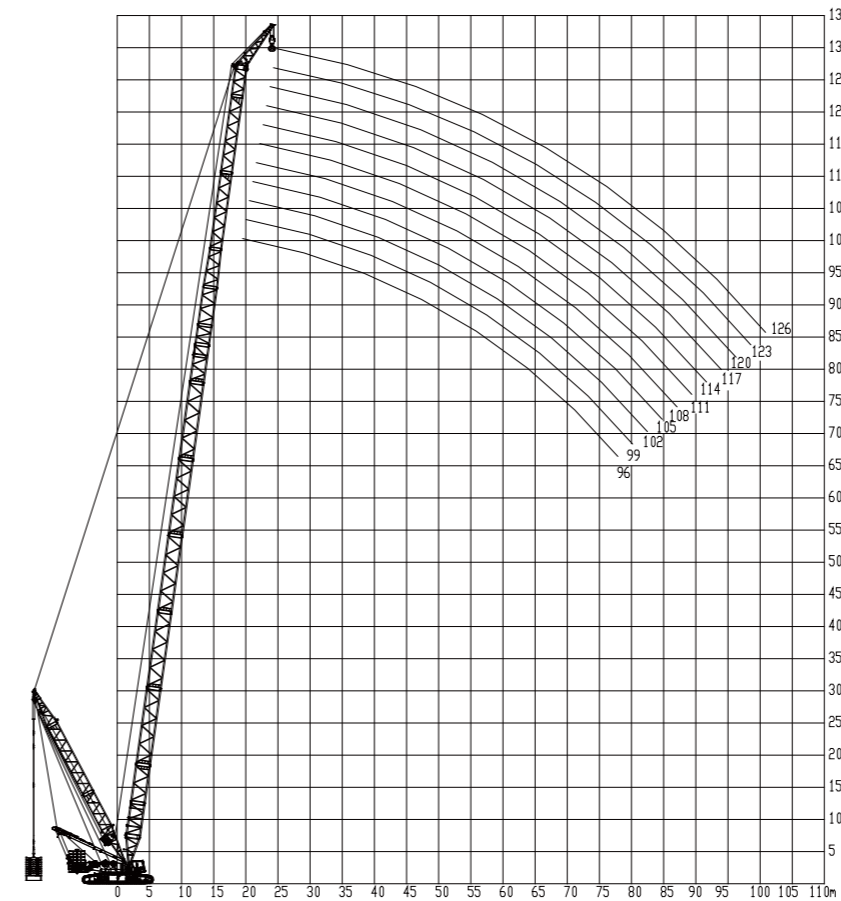
Lifting performance on SLHSDB-1



Radius (m)	Suspended ballast: 200t Radius of suspended ballast: 16m Rear counterweight: 140t Central ballast: 40t											
	Light main boom length (m)											
	96	99	102	105	108	111	114	117	120	123	126	
17	130	125										
18	129	125	117	108	105	93.2						
19	129	125	116	108	103	92.6	87.2	82.1	77.1			
20	129	124	116	108	101	91.7	86.9	81.8	76.9	69.3	65.1	
22	129	124	116	108	101	90.7	86.6	81.4	76.5	68.8	64.7	
24	125	123	115	107	100	89.1	86.2	81.1	76.0	68.1	64.3	
26	118	119	115	106	99.9	87.5	85.6	80.5	75.5	65.9	63.3	
28	116	117	114	106	99.3	86.0	85.0	79.9	74.9	64.9	61.8	
30	114	115	111	105	98.7	84.4	84.4	79.3	74.4	63.3	60.8	
32	112	111	106	102	98.0	83.4	83.4	78.7	73.7	61.8	59.2	
34	109	106	102	98.4	95.2	81.8	82.4	78.1	73.1	60.2	57.6	
36	105	102	98.4	94.2	91.7	80.8	80.8	76.7	72.4	58.8	56.4	
38	101	98.4	95.8	90.7	88.5	79.3	79.9	75.7	71.0	57.6	55.1	
40	97.4	94.2	91.7	87.5	85.0	78.3	77.7	75.1	69.1	56.0	53.9	
44	90.7	87.5	85.0	81.8	79.3	75.7	72.6	70.0	65.5	54.1	51.5	
48	84.4	82.4	79.9	75.7	74.2	70.0	67.5	65.9	62.4	51.5	49.4	
52	78.0	76.7	74.2	71.0	69.1	65.9	63.3	61.4	59.2	50.0	46.8	
56	70.3	70.2	69.7	66.9	64.9	61.8	59.2	57.6	55.7	48.0	44.6	
60	63.6	63.6	63.1	62.4	60.8	58.2	55.7	54.1	52.5	46.4	42.7	
64	57.9	57.8	57.3	57.2	56.7	54.7	52.5	50.9	49.4	44.3	40.7	
68	52.9	52.8	52.3	52.1	51.7	51.5	49.4	48.0	46.4	41.7	38.9	
72	48.4	48.3	47.9	47.7	47.2	47.7	46.8	45.5	43.9	39.1	37.2	
76	44.5	44.4	43.9	43.7	43.3	43.7	43.3	42.7	41.3	37.0	35.6	

# LIFTING PERFORMANCE

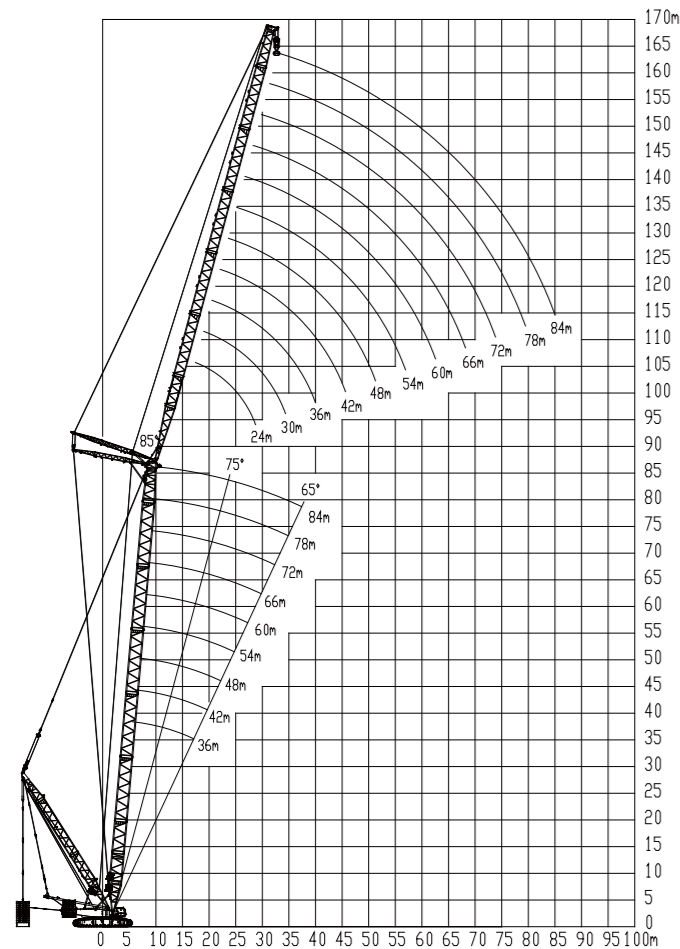
Lifting performance on SLHSDB-2



Radius (m)	Suspended ballast: 200t Radius of suspended ballast: 16m Rear counterweight: 140t Central ballast: 40t											
	Light main boom length (m)											
	96	99	102	105	108	111	114	117	120	123	126	
17	140	140										
18	140	140	132	125	120	115						
19	135	130	126	122	118	113	110	105	100			
20	131	128	124	120	115	111	108	103	97	92.3	90.2	
22	125	124	123	117	113	111	105	98.4	94.5	89.8	86.8	
24	120	120	120	117	113	109	103	97.8	92	86.4	83.2	
26	118	119	119	116	111	108	102	97.1	91.3	84.7	79.6	
28	116	117	117	116	111	107	102	96.4	90.7	84.2	79.1	
30	114	115	115	111	109	106	101	95.8	89.9	83.4	78.4	
32	112	113	111	106	104	102	97.4	95.1	89.3	82.8	77.7	
34	110	111	106	102	99.9	98.4	94.2	91.7	88.5	82.2	77.1	
36	108	105	102	98.4	95.8	94.2	90.7	88.5	85	81.4	76.3	
38	104	101	98.4	95.2	93.2	90.7	87.5	85	82.4	79.3	75.7	
40	99.9	97.4	95.2	91.7	89.1	87.5	84.4	82.4	79.9	76.7	74.2	
44	92.6	90.7	87.5	85	82.4	80.8	78.3	76.7	74.2	71.6	69.1	
48	86.6	84.4	82.4	78.3	76.7	75.7	72.6	71.6	69.1	66.9	64.9	
52	77.5	77.2	76.7	74.2	71.6	71	68.4	66.9	64.9	62.4	60.8	
56	69.8	69.5	69.1	68.6	67.5	66.9	64.3	62.4	60.8	58.8	56.7	
60	63.2	62.9	62.5	62	61.5	61.3	60.2	59.2	57.3	55.1	53.5	
64	57.4	57.2	56.7	56.2	55.8	55.5	55	54.5	54	51.5	50	
68	52.4	52.1	51.7	51.2	50.7	50.5	50	49.4	49	48.9	47.4	
72	47.9	47.7	47.2	46.7	46.3	46	45.5	45	44.5	44.4	43.9	
76	44	43.7	43.3	42.7	42.3	42	41.5	41	40.5	40.4	39.9	
80	40.4	40.2	39.7	39.2	38.7	38.5	38	37.4	37	36.9	36.3	
84	37.2	37	36.5	36	35.5	35.3	34.8	34.2	33.8	33.6	33.1	
88	34.3	34	33.6	33.1	32.6	32.3	31.8	31.3	30.9	30.7	30.2	
92	31.6	31.4	30.9	30.4	30	29.7	29.2	28.7	28.2	28.1	27.6	

# LIFTING PERFORMANCE

Lifting performance on SWDB



Radius (m)	Suspended ballast: 200t Radius of suspended ballast: 16m Rear counterweight: 140t Central ballast: 40t Main boom length: 36m										
	Luffing jib length (m)										
	24	30	36	42	48	54	60	66	72	78	84
14	235										
16	219	209									
18	204	195	187								
20	192	184	176	167							
22	180	173	166	160	136						
24	160	163	156	151	135	113					
26	145	149	149	144	134	112	98.2	80.5			
28	117	136	136	137	132	111	97.2	80.3	69.5		
30		124	124	126	124	110	96.2	80.2	69.3	56.2	
32		115	114	116	114	109	95.3	80	69.1	55.9	49
34		96.8	106	107	105	104	94.3	79.7	68.8	55.5	48.7
36			99	99.7	98.1	96.9	93.4	79.5	68.5	55.1	48.3
38			92.7	93.1	91.5	90.5	88.5	79.2	68.2	54.7	47.9
40				87.2	85.7	84.8	82.9	78.9	67.8	54.3	47.5
44				75.8	75.9	75.1	73.3	72.4	67.1	53.5	46.7
48					67.9	67.2	65.5	64.7	60.2	50.5	44
52						60.6	59	58.2	53.8	44.7	38.8
56						53.5	53.5	52.8	48.1	39.7	34.2
60							47.8	48.2	43.1	35.3	30
64								44.1	38.8	31.5	26.4
68								38	34.7	27.8	23.1
72									31.4	24.7	20.1
76										21.9	17.4
80										19.6	15
84											12.8

# LIFTING PERFORMANCE

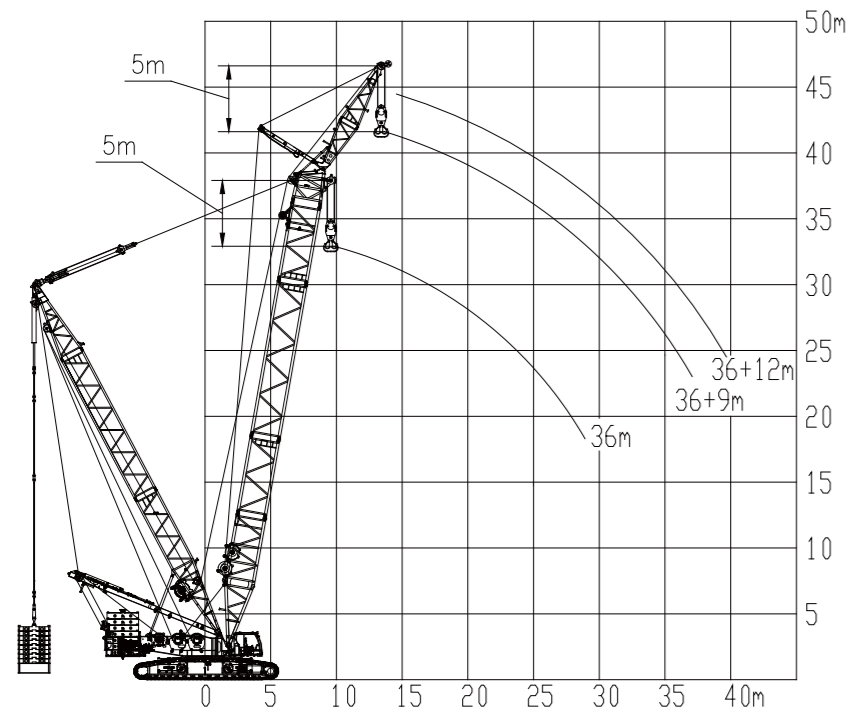
Lifting performance on SWDB

Radius (m)	Suspended ballast: 200t Radius of suspended ballast: 16m Rear counterweight: 140t Central ballast: 40t Main boom length: 48m										
	Luffing jib length (m)										
	24	30	36	42	48	54	60	66	72	78	84
16	202										
18	190	182									
20	180	172	165								
22	171	164	157	141	121						
24	163	156	150	140	120	100					
26	153	149	143	138	119	99.7	85.1				
28	136	143	137	133	118	98.7	84.3	69.9			
30		130	130	127	117	97.7	83.4	69.2	60.8		
32		120	119	121	115	96.7	82.6	68.5	60.2	50.3	
34		111	110	112	111	95.7	81.8	67.8	59.6	50.2	44
36			102	104	103	94.8	80.9	67.1	59	50	43.9
38			95.8	97.4	96.1	93.8	80.1	66.5	58.4	49.8	43.7
40			89.9	91.3	89.9	88.9	79.3	65.8	57.8	49.6	43.4
44				80.5	79.3	78.5	76.6	65.1	57.2	49.1	42.9
48					70.7	70	68.3	64.5	56.7	48.6	42.4
52						61.2	63	61.4	60.6	55.5	45.5
56							57	55.5	54.8	49.6	40.3
60								50.5	49.9	44.5	35.9
64								43	45.7	39.9	31.9
68									40.5	35.7	28.4
72										32.2	25.2
76											22.4
80											19.8
84											13.3

Radius (m)	Suspended ballast: 200t Radius of suspended ballast: 16m Rear counterweight: 140t Central ballast: 40t Main boom length: 60m										
	Luffing jib length (m)										
	24	30	36	42	48	54	60	66	72	78	84
18	166	160									
20	159	153	140								
22	152	146	139	120							
24	146	140	134	118	100						
26	140	135	129	117	99.2	84.1					
28	135	130	124	116	98.2	83.3	73.1				
30	125	125	119	115	97.2	82.5	72.3	61.0	53.2		
32		120	115	111	96.2	81.6	71.6	60.4	52.6	44.4	
34		114	111	108	95.3	80.8	70.9	59.8	52.1	43.9	39.4
36		103	103	101	94.3	80	70.2	59.2	51.6	43.5	39.4
38			95.6	94.3	91.7	79.2	69.5	58.6	51.1	43.0	39.3
40				88.8	87.8	86.2	78.4	68.8	58	50.5	42.6
44					76.1	75.7	74.1	68.1	57.4	50	42.2
48						66.4	65.8	64.8	56.9	49.5	41.8
52							57.6	58.4	58.1	56.3	49
56								51.3	52	51.2	48.6
60									46.2	46.5	45
64										40.9	41.7
68											37.6
72											32.6
76											29.4
80											23.1
84											20.5
88											16.0

## LIFTING PERFORMANCE

Lifting performance on SFVDB



Rear counterweight: 140t Central ballast: 40t Radius of suspended ballast: 16m Suspended ballast: 200t Main boom length: 36m Jib length: 9m						
Main boom angle	Radius of hook 1	Turning over	Radius of hook 2	Capacity of hook 1	Turning over	Capacity of hook 2
80.92	9.0	11.0	13.0	448.0	323.5	199.0
79.54	9.8	11.9	14.0	448.0	319.5	191.0
79.29	10.0	12.1	14.2	448.0	318.9	189.8
78.22	10.6	12.8	15.0	448.0	316.5	185.0
77.65	11.0	13.2	15.4	448.0	315.2	182.4
76.90	11.5	13.7	16.0	438.9	308.9	179.0
76.00	12.0	14.3	16.7	428.0	301.5	175.0
75.56	12.3	14.6	17.0	418.9	296.0	173.0
74.21	13.1	15.5	18.0	391.1	279.5	168.0
72.85	13.9	16.4	19.0	363.1	263.1	163.0
72.65	14.0	16.6	19.1	359.0	260.6	162.3
71.48	14.7	17.3	20.0	341.7	249.9	158.0
70.09	15.5	18.3	21.0	321.5	237.7	154.0
69.23	16.0	18.8	21.6	309.0	230.3	151.5
68.69	16.3	19.2	22.0	303.2	226.6	150.0
65.83	17.9	21.0	24.0	273.1	207.5	142.0
65.72	18.0	21.0	24.1	272.0	206.9	141.8
62.88	19.6	22.8	26.0	247.6	191.8	136.0
62.10	20.0	23.3	26.5	241.0	187.7	134.4
59.84	21.2	24.6	28.0	225.8	177.9	130.0
58.34	22.0	25.5	29.0	216.0	171.6	127.1
56.68	22.9	26.4	30.0	207.0	165.5	124.0
54.41	24.0	27.7	31.4	195.0	158.1	121.2
53.37	24.5	28.3	32.0	190.7	155.3	120.0
50.25	26.0	29.9	33.8	178.0	147.2	116.4
49.88	26.2	30.1	34.0	176.7	146.4	116.0
46.16	27.8	31.9	36.0	164.2	138.1	112.0
45.80	28.0	32.1	36.2	163.0	137.4	111.7

## LIFTING PERFORMANCE

Lifting performance on SFVDB

Rear counterweight: 140t Central ballast: 40t Radius of suspended ballast: 16m Suspended ballast: 200t Main boom length: 36m Jib length: 12m						
Main boom angle	Radius of hook 1	Turning over	Radius of hook 2	Capacity of hook 1	Turning over	Capacity of hook 2
80.92	9.0	12.1	15.2	420.0	284.4	148.8
79.96	9.6	12.8	16.0	420.0	282.5	145.0
79.29	10.0	13.3	16.5	420.0	281.2	142.3
78.70	10.4	13.7	17.0	420.0	280.0	140.0
77.65	11.0	14.4	17.8	420.0	278.3	136.7
77.44	11.1	14.6	18.0	420.0	278.0	136.0
76.16	11.9	15.5	19.0	420.0	276.0	132.0
76.00	12.0	15.6	19.1	420.0	275.7	131.5
74.87	12.7	16.3	20.0	399.4	263.7	128.0
73.58	13.5	17.2	21.0	375.8	249.9	124.0
72.65	14.0	17.9	21.7	359.0	240.4	121.9
72.27	14.2	18.1	22.0	353.3	237.2	121.0
69.60	15.8	19.9	24.0	314.3	214.7	115.0
69.23	16.0	20.1	24.3	309.0	211.6	114.2
66.87	17.4	21.7	26.0	283.3	196.1	109.0
65.72	18.0	22.4	26.8	271.0	189.0	106.9
64.06	18.9	23.5	28.0	256.6	180.3	104.0
62.10	20.0	24.7	29.4	240.0	170.6	101.3
61.16	20.5	25.3	30.0	233.3	166.7	100.0
58.34	22.0	26.9	31.9	214.0	155.4	96.7
58.14	22.1	27.1	32.0	212.9	154.7	96.5
54.99	23.7	28.9	34.0	196.0	144.5	93.0
54.41	24.0	29.2	34.4	193.0	142.7	92.4
51.68	25.3	30.7	36.0	182.4	136.1	89.8
50.25	26.0	31.4	36.8	177.0	132.8	88.6
48.16	27.0	32.5	38.0	169.8	128.4	87.0
45.80	28.0	33.6	39.3	162.0	123.7	85.4
44.36	28.6	34.3	40.0	158.0	121.3	84.5