

LIFTING CAPACITY TABLE

Table 1 Main boom

Unit: Metric tons

Radius (m)	Outriggers fully extended, with 45 tons counterweight, over full range													
	Boom length (m)													
	13.5	18	22.5	27	31.5	36	40.5	45	49.5	54	58.5	63	67.5	72
3	150*	100*	90											
3.5	105*	95*	87	75										
4	100*	90	83	75										
4.5	96*	85	78	75	60									
5	92*	80	73	70	58									
5.5	86	75	68	65	55	45								
6	80	70	63	60	52	45								
7	67	65	58	55	49	45	35							
8	58	58	53	50	46	43	33							
9	50	50	50	47	43	41	30.5	28						
10		44	44	44	40	38	29	28						
11		39	39	39	37.5	35.5	27.5	26	23					
12		35	35	35	35	33	26	24	21.5	19				
14			28	27.5	28.5	29	23.5	21.4	19	17	15			
16			22.5	22	23	23.5	21.5	19.2	17.2	15.4	13.5	12		
18				18	18.8	19.5	19.5	17	15.6	13.9	12.5	11	9	
20				15	15.8	16.5	17	15.2	14	12.6	11.5	10.1	8.2	7
22					13.3	14	14.5	13.4	12.4	11.3	10.5	9.3	7.6	6.5
24					11.4	12.1	12.5	11.8	11.1	10.2	9.5	8.5	7.1	6.1
26						10.4	11	10.4	10	9.2	8.6	7.8	6.6	5.7
28						9	9.6	9	8.9	8.4	7.9	7.2	6.2	5.4
30							8.4	7.8	7.8	7.6	7.2	6.7	5.8	5.1
32							7.4	6.8	6.8	6.8	6.5	6.2	5.4	4.8
34								6	6	6.1	5.9	5.7	5	4.5
36								5.2	5.2	5.3	5.3	5.2	4.7	4.2
38									4.5	4.6	4.7	4.7	4.4	3.9
40									3.9	4	4.2	4.3	4.1	3.7
42										3.4	3.7	3.9	3.8	3.5
44										2.9	3.2	3.5	3.5	3.2
46											2.7	3.1	3.3	3
48											2.3	2.7	3	2.8
50												2.3	2.7	2.5
52												1.9	2.3	2.3
54													1.9	2
56														1.7
58														1.4
60														1.1
Reeving	14	14	12	10	8	6	5	4	3	3	2	2	2	2
Hook	90 tons													
Telescoping mode	I	1	1	2	2	2	2	3	3	3	3	3	3	4
	II	1	2	2	2	2	2	2	3	3	3	3	3	4
	III	1	1	2	2	2	2	2	3	3	3	3	3	4
	IV	1	1	1	1	2	2	2	2	2	3	3	3	4
	V	1	1	1	1	1	2	2	2	2	2	3	3	4
	VI	1	1	1	1	1	1	2	2	2	2	2	3	4

Note: The data indicated with an asterisk (*) are suitable for 110 tons hook. (The data "150" is the nominal lifting capacity.)

Truck Crane ZTC1500V



ZOOMLION

Zoomlion Heavy Industry Science & Technology Co.,Ltd.

Add: No.677 Lugu Road Zoomlion Industrial Park Changsha,Hunan,China,410205

Copyright © 2016 Zoomlion. All rights reserved. Reproduction and copying of any part of the contents is not allowed for any purposes without Zoomlion's written approval. Note: No product coating appearance shall be subject to sample.



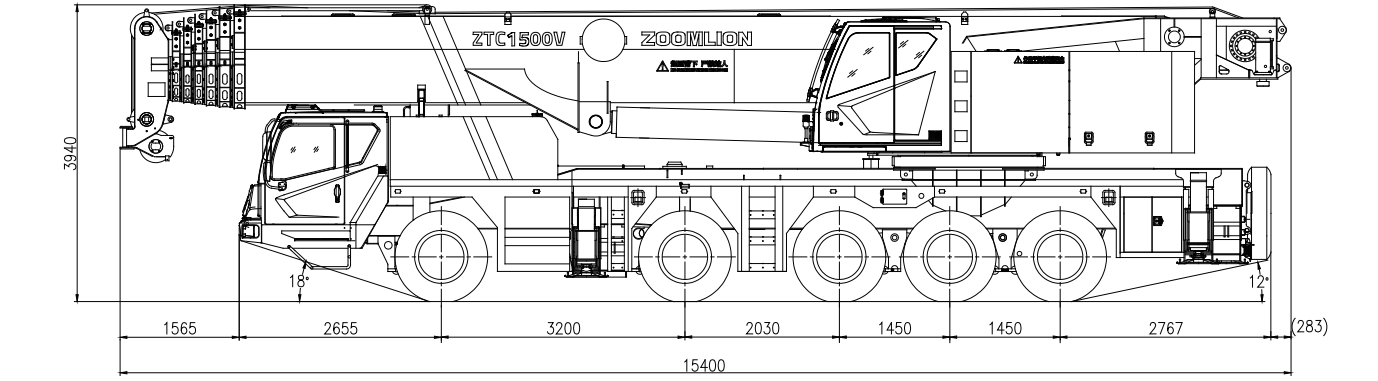
ZOOMLION



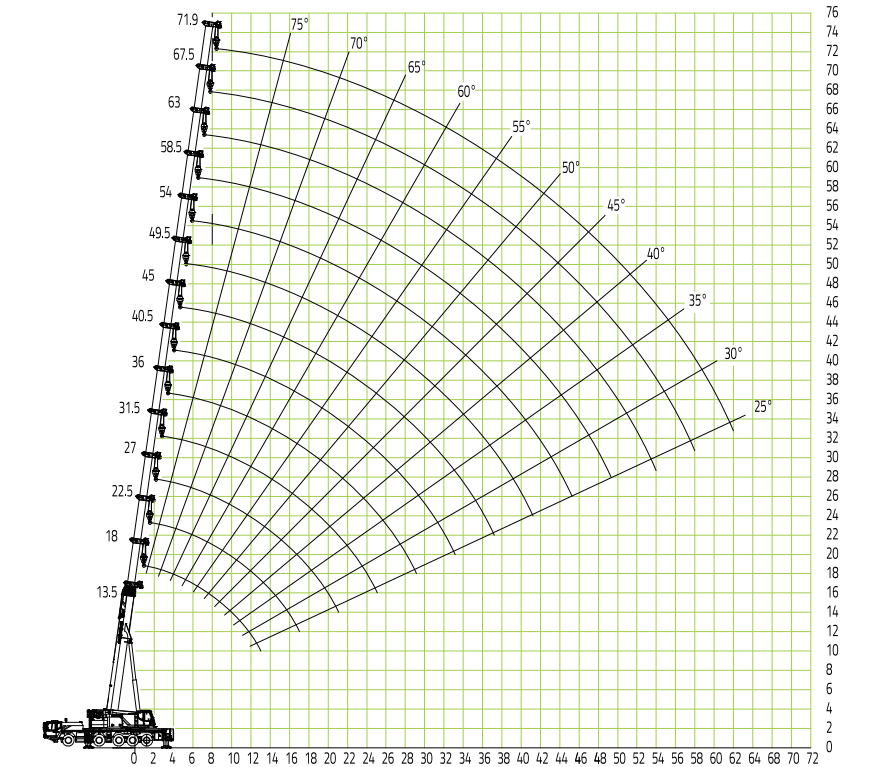
TECHNICAL DATA

	Items	Value	Remarks
Work performance	Max. rated lifting capacity	kg	150000 At 3 m radius
	Max. load moment of basic boom	kN.m	4704 At 6 m radius
	Max. load moment of main boom (fully extended)	kN.m	1505 At 32 m radius
	Max. lifting height of basic boom	m	13.0
	Max. lifting height of main boom	m	72.5
Work speeds	Max. lifting height of jib	m	87/ (95) The parameters do not include deflection of main boom and jib. The value in the brackets is the value with the extension installed.
	Max. hoist rope speed (Main winch)	m/min.	114
	Max. hoist rope speed (Auxiliary winch)	m/min.	75 At the 4th layer
	Boom derricking up time	s	94 At the 3rd layer
	Boom extending time	s	860
Driving	Max. slewing speed	r/min.	1.4
	Max. height above sea level	m	2000
	Max. driving speed	km/h	78
	Max. gradeability	%	40
	Min. turning diameter	m	≤23
Mass	Min. ground clearance	mm	320
	Limits for exhaust pollutants and smoke		Conform to related standards GB3847-2005 GB17691-2005
	Fuel consumption per hundred kilometers	L	70
	Deadweight in driving condition	kg	54900
	Complete vehicle kerb mass	kg	54705
Dimensions	Load on axles 1 and 2	kg	9950+9950
	Load on axles 4 and 5	kg	12625+12625+9750
	Overall dimensions (L × W × H)	mm	15400×3000×3940
	Outrigger spread (L)	m	8.05
	Outrigger spread (W)	m	7.8 (fully extended), 5.3 (intermediately extended)
	Main boom length	m	13.5-72.0
	Boom angle	°	-0.5-82
	Jib length	m	11 , 18.6
	Jib + extension length	m	26.6
	Offset	°	0 , 30

OVERALL VIEW (UNIT: METRIC MM)



LIFTING HEIGHT CHARTS



HIGHLIGHT:

1. This high-tech product, combining mechanical, electrical and hydraulic systems as a whole, has so many advantages, such as good control performance, excellent micro-positioning performance, great lifting capacity and super lifting height.
2. The 5-axle chassis with 7-section main boom 72m , total lifting height with jib reaches 87m, with additional extension jib, lifting height can reach 95m.
3. The latest electro-hydraulic proportional directional control valve with load sensing function ensures that each mechanism makes full use of its movement efficiently.
4. Fully equipped with safety devices, such as relief valve, balance valve and electronically safety devices, enable your stuff and machines safety.

