

# ALL-TERRAIN CRANE QAY300



**ZOOMLION**

**Zoomlion Heavy Industry Science & Technology Co.,Ltd.**

Add: No.677, Lugu Road, Zoomlion Industrial Park, Changsha, Hunan, China, 410205

Copyright©2017 Zoomlion. All rights reserved. Reproduction and copying of any part of contents is not allowed for any purposes without Zoomlion's approval.



websiteen.zoomlion.com

**ZOOMLION**



## HIGHLIGHTS

- 7 section 80m main boom, up to 32m heavy-duty jib or light-duty jib is optional, max. jib lifting height reaches 112m.
- Leading comprehensive lifting capacity, with 875T\*m lifting torque of basic boom, 406T\*m lifting torque of fully extended boom.
- Super strong 6-axle all terrain chassis with high mobility and flexibility.
- Fully optimized operating experience can easily lift and assemble with more precise.
- Self-assemble/disassemble Y-guying system with high reliability and easy operation.
- Low cost with high return, maximize your ROI.
- Environment friendly and modern fashion outlook design, offers better view in the cabs, more comfort and less fatigue during operating.



- Main boom + Y-guying system + Heavy-duty jib, designed for wind turbine lifting.



- Y-guying system structure can be self-assembled piece by piece without extra crane.
- Real-time detection of the line pull with visualization.

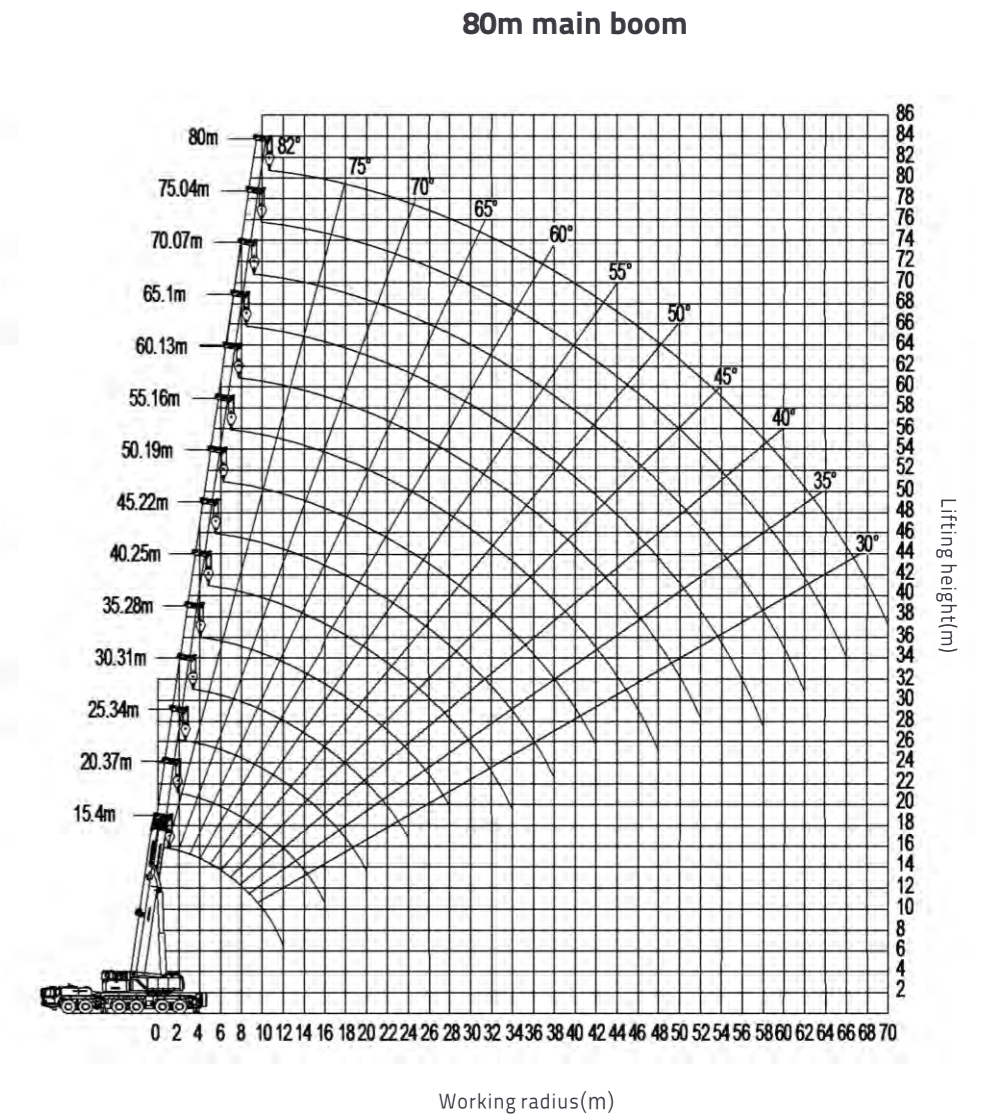
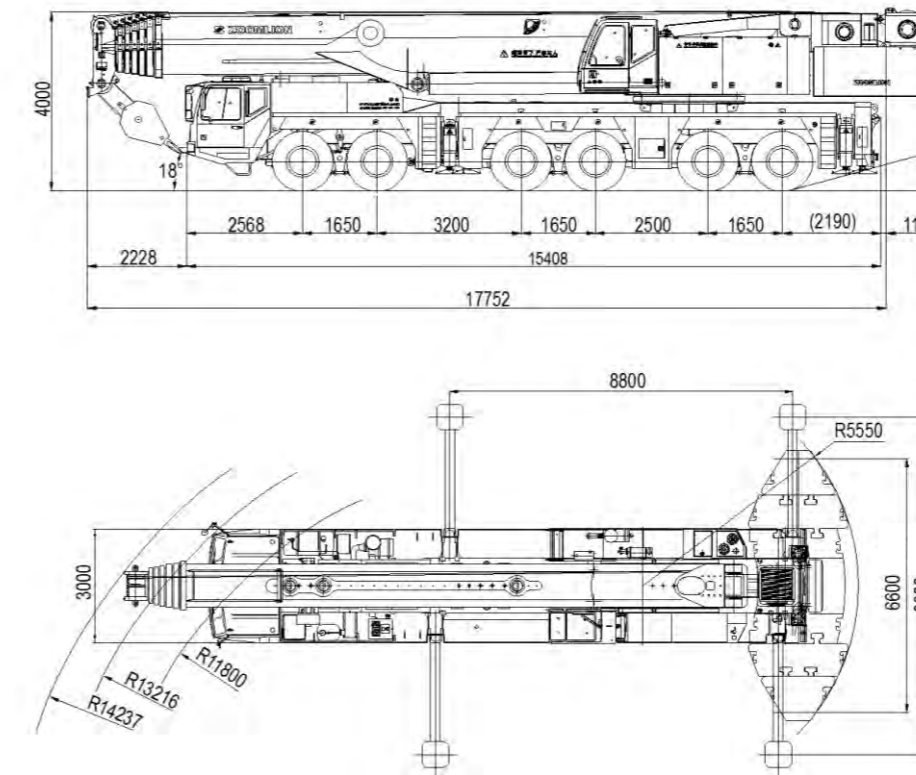


- Brand-new cabs design with modern fashion style, offers broader view and less fatigue.



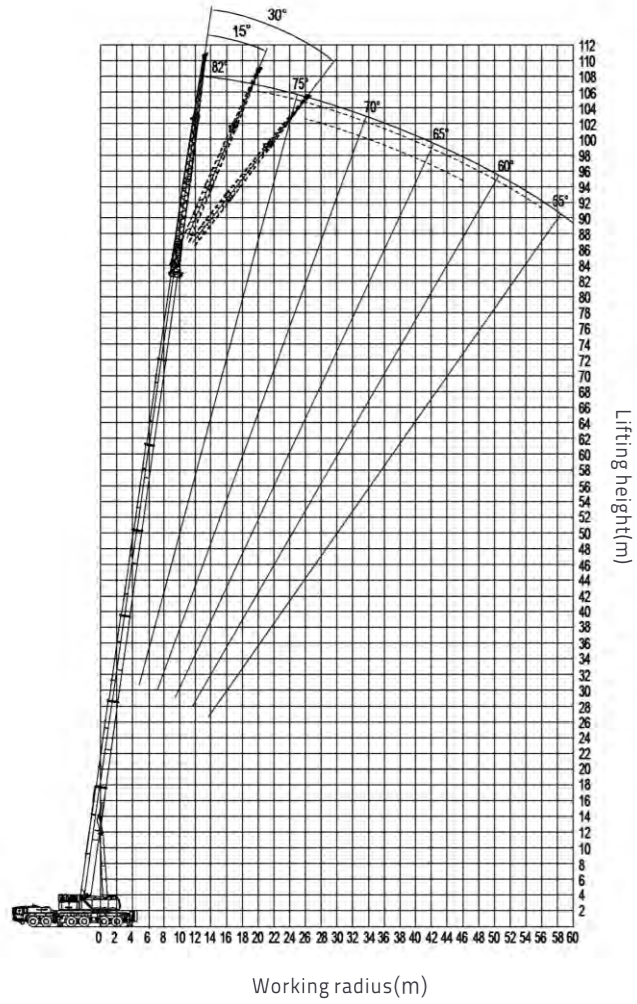


Item		Value	Remarks	
Work performance	Max. rated lifting capacity	kg	300000	
	Max. load moment of basic boom	kN.m	8750	
	Max. lifting height of main boom	m	80	
	Max. lifting height of jib	m	112	
The parameters do not include deflection of main boom and jib.				
Work speeds	Max. hoist rope speed (Main winch)	m/min	113	
	Max. hoist rope speed (Auxiliary winch)	m/min	56	
	Boom extending time	min	18	
	Boom derricking up time	s	100	
Affected by the temperature and engine RPM				
Driving	Max. hoist rope speed (Main winch)	m/min	0~1.3	
	Max. driving speed	km/h	72	
	Approach Angle	°	18	
	Departure Angle	°	15	
	Max. gradeability	%	50	
	Min. turning diameter	m	24	
	Min. ground clearance	mm	355	
	Limits for exhaust pollutants and smoke	Conform to related standards		
Mass	Oil consumption per hundred kilometers	L	85	
	Deadweight in driving condition	kg	72000	
Dimensions	Axle load	kg	12000	
	Overall dimensions (L x W x H)	mm	17752 x 3000 x 4000	
	Outrigger spread (L)	m	8.8	
	Outrigger spread (W)	m	8.8	
	Main Boom length	m	15.4 ~ 80	
	Boom angle	°	-0.6 ~ 82	
	Light-duty jib length	m	12~32	
	Heavy-duty jib length	m	16~32	
	Offset	°	0, 15, 30	
Chassis	Model	ZLJ5721JQZV4	Code: ZLJ5721 QA	
	Type	II		
	Model	OM502LA		
	Engine	Max. rated power	kw/r/min	405
		Max. output torque	N.m/r/min	2700
Manufacturer	ZOOMLION HEAVY INDUSTRY SCIENCE AND TECHNOLOGY CO., LTD.			
Others	Y-guying system	Yes		

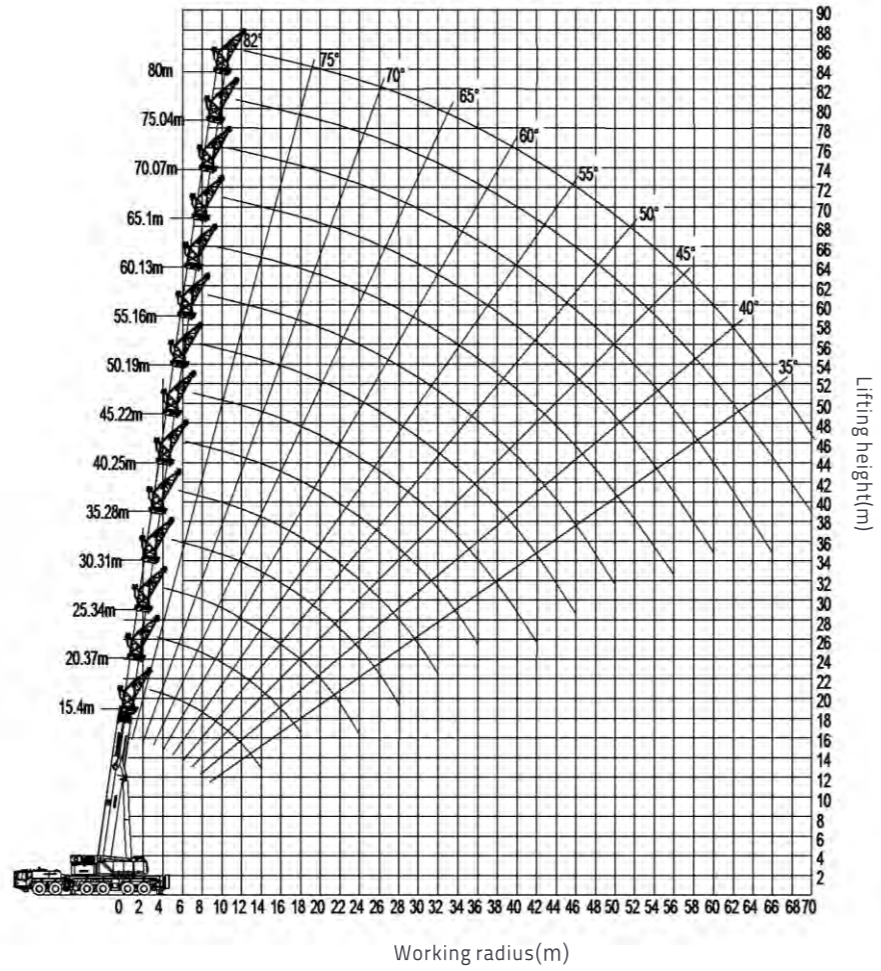




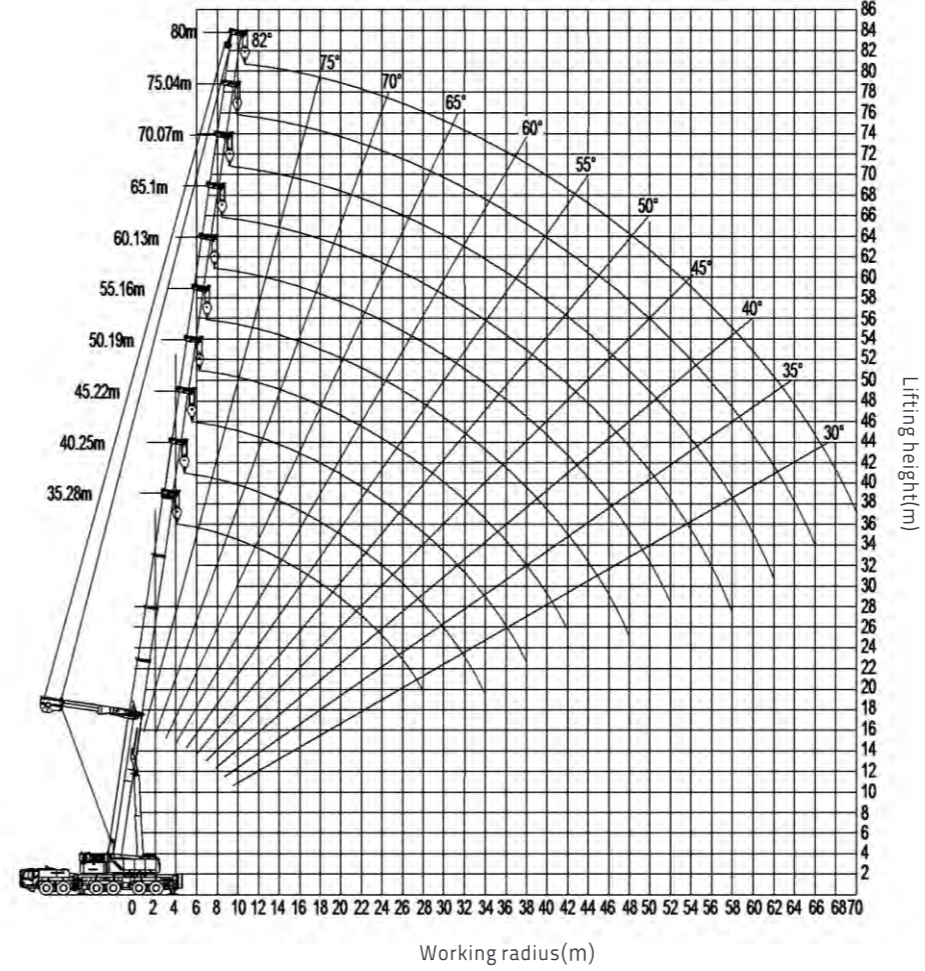
80m main boom + 28m jibs



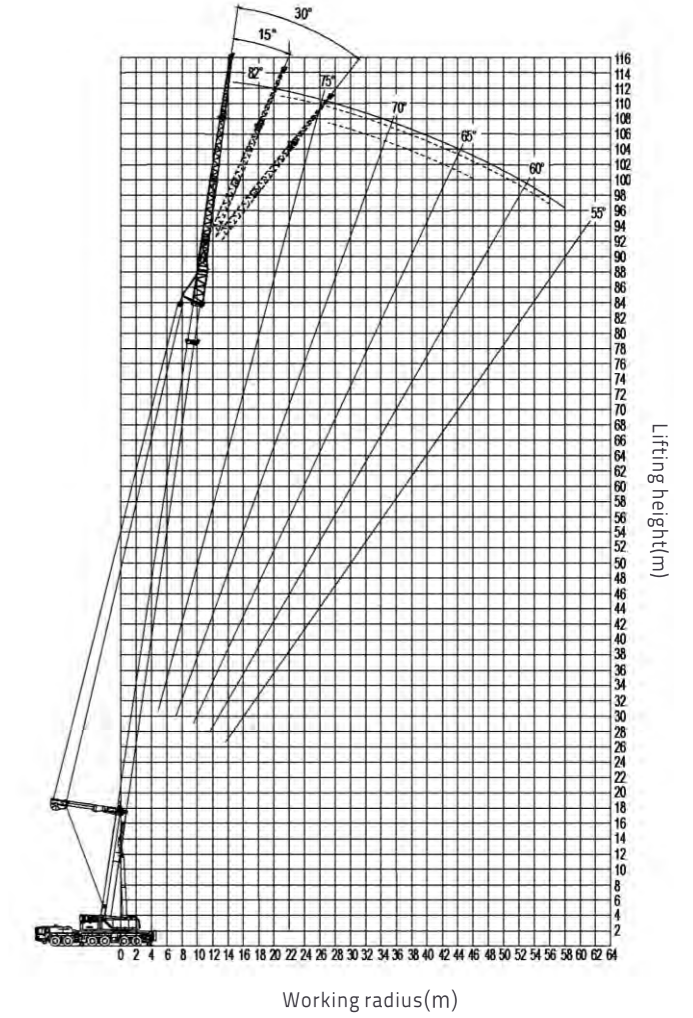
Main boom + 3.6m goose-head jib



Main boom + Y-guying system



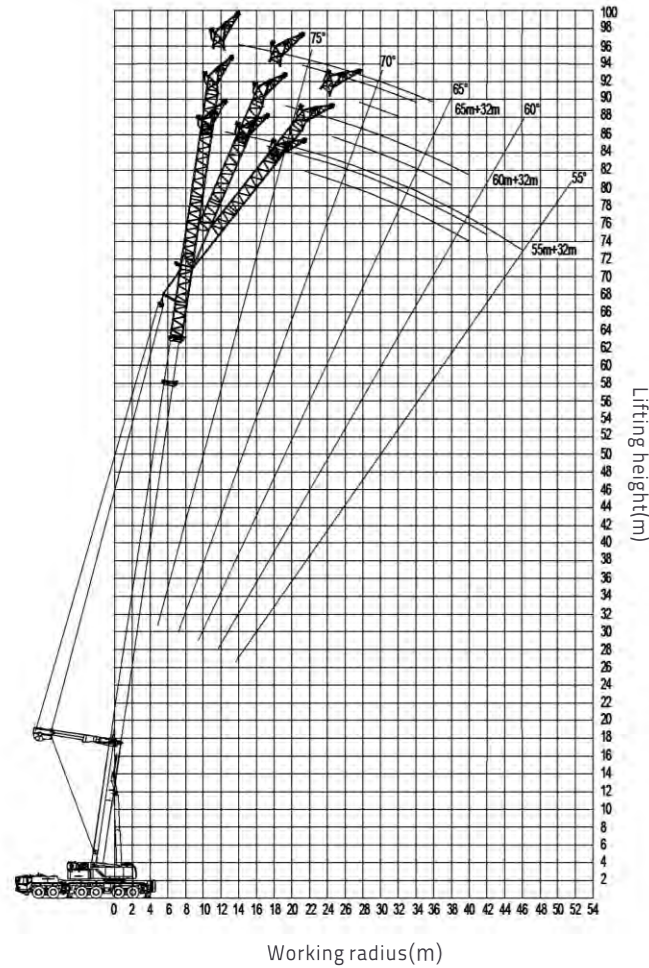
Main boom + Y-guying system + 32m light-duty jibs





# QAY300 Lifting Height Curve

Main boom + Y-guying system + 32m heavy-duty jibs



# Lifting Capacity Chart

Table1

Unit:T

Main boom 15.4m-80m, 100T CW, outrigger fully extended, over full range															
Radius(m)	Boom length m														Radius(m)
	15.4	20.37	25.34	30.31	35.28	40.25	45.22	50.19	55.16	60.13	65.1	70.07	75.04	80	
3	300*														3
3.5	190	155													3.5
4	170	152	150												4
4.5	150	148	145	125											4.5
5	145	140	135	120	105										5
6	140	130	125	118	100	90									6
7	125	120	118	110	95	85									7
8	105	100	100	98	90	80	60								8
9	95	92	91	90	85	75	56	52							9
10	83	83	82	81	76	71	55	51							10
11	74	75	76	75	71	66	53	50	40						11
12	67	67	68	67	66	62	51	48	40	30					12
14		55	57	56	56	54	46	43	37	30	24				14
16		47	48	47	47	46	42	38	34	30	24	20			16
18			40	40	41	38	38	35	31	27	23	20	17		18
20				34	35	35	35	31	28	25	22	19	17	13	20
22					28.5	29	30	30	28	26	23	21	19	17	22
24						24	25	26.5	27.5	26	23	21	20	18	24
26							23	24	24	21	19.5	18.2	17	15.5	26
28								20	21.3	22.4	20.5	19.5	18	17	28
30									18.8	19.8	19.2	18	16.5	15.5	30
32										16.5	17.8	17.3	17	15.5	32
34											15	16	15.5	14.8	34
36												14.8	14.2	14	36
38													13.2	12.8	38
40														11.6	40
42															42
44															44
46															46
48															48
50															50
52															52
54															54
56															56
58															58
60															60
62															62
64															64
66															66
68															68
70															70
Reeving Hook	16(20)	16	14	12	10	8	6	5	4	3	3	2	2	2	
Telescoping mode	I	1	1	1	2	2	2	3	3	3	3	3	3	4	
	II	1	2	2	2	2	2	2	3	3	3	3	3	4	
	III	1	1	2	2	2	2	2	3	3	3	3	3	4	
	IV	1	1	1	1	2	2	2	2	3	3	3	3	4	
	V	1	1	1	1	1	2	2	2	2	2	3	3	4	
	VI	1	1	1	1	1	2	2	2	2	2	2	3	4	

Note: The point marked with "\*" should use optional hook and reeving is 20.

# QAY300 Lifting Capacity Chart

Table2

Unit:T

Main boom 15.4m-80m, 100T CW, outrigger half extended, over full range															
Radius(m)	Boom length m														Radius(m)
	15.4	20.37	25.34	30.31	35.28	40.25	45.22	50.19	55.16	60.13	65.1	70.07	75.04	80	
3	300*														3
3.5	190	155													3.5
4	170	152	150												4
4.5	150	148	145	125											4.5
5	145	140	135	120	105										5
6	140	130	125	118	100	90									6
7	120	120	118	110	95	85									7
8	102	98	96	98	90	80	60								8
9	85	90	90	89	85	75	56	52							9
10	75	81	80	80	76	71	55	51							10
11	64	69	68	69	65	66	53	50	40						11
12		61	59	60	60	62	51	48	40	30					12
14		47	46	47	47	46	46	43	37	30	24				14
16			37	37	38	39	38	38	34	30	24	20			16
18				30	32	32	33	32	31	27	23	20	17		18
20					25	27	27	28.5	29	28	28	25	22	19	20
22						22	23	24	25	25	23	23	21	19	22
24							19	19	21.2	22.4	22	21	20	18	24
26								17	19	19.5	19	19	18	18.2	26
28									14.5	16.5	17.5	17	17	16	28
30										14.5	15.3	15	15	15	30
32											13	14	13.2	13.2	32
34												12.2	12	12	34
36													11	10.3	36
38														10	38
40															40
42															42
44															44
46															46
48															48
50															50
52															52
54															54
56															56
58															58
60															60
62															62
64															64
66															66
68															68
Reeving Hook	16(20)	16	14	12	10	8	6	5	4	3	3	2	2	1	
Telescoping mode	I	1	1	1	2	2	2	2	3	3	3	3	3	4	
	II	1	2	2	2	2	2	2	2	3	3	3	3	4	
	III	1	1	2	2	2	2	2	2	2	3	3	3	4	
	IV	1	1	1	1	2	2	2	2	2	3	3	3	4	
	V	1	1	1	1	1	2	2	2	2	2	3	3	4	
	VI	1	1	1	1	1	2	2	2	2	2	2	3	4	

Note: The point marked with "\*" should use optional hook and reeving is 20.

Table3

Unit:T

28m jib, 100T CW, outrigger fully extended, over full range							
Main boom length Radius(m)	75m			80m			Main boom length Radius(m)
	Offset			Offset			
	0°	15°	30°	0°	15°	30°	
22	4.2						22
24	4.2			4			24
26	4.1			4			26
28	4	2.8		3.9			28
30	3.9	2.7		3.8	2.8		30
32	3.7	2.7		3.5	2.7		32
34	3.5	2.6	2	3.4	2.7		34
36	3.4	2.5	2	3.3	2.6	2	36
38	3.3	2.5	2	3.2	2.5	2	38
40	3.2	2.4	1.9	3.1	2.4	2	40
42	3.1	2.3	1.8	3	2.4	1.8	42
44	3	2.3	1.8	2.8	2.3	1.8	44
46	2.8	2.2		2.7	2.2	1.8	46
48	2.7	2.1		2.6	2.1		48
50	2.5	2.1		2.4	2.1		50
52	2.5	2		2.3	2		52
54	2.4	1.8		2.2	1.8		54
56	2.3	1.8		2.1	1.8		56
58	2.2	1.7		1.9			58
60	2.1			1.8			60
62	2						62
64	1.8						64
66							66
68							68

